

Condenser plastic Fresnel lens

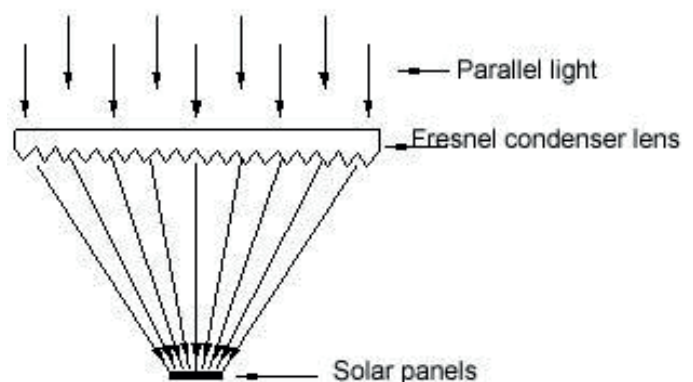
Condenser plastic Fresnel lens and solar panels generally use the box design approach to achieve the best possible results.

Solar arrays uses Fresnel condenser lens with following benefits :

- High precision optical components
- High precision thin thread forming process
- High refractive index,
- Minimum optical losses
- High-intensity
- High transmittance and anti-aging,
- Anti-ultraviolet radiation

Ultimately, the cost of solar cell is several times lower than normal capacity , which provides maximum benefits to the user.

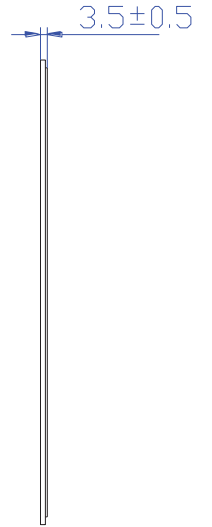
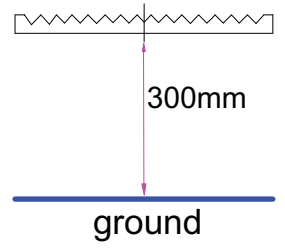
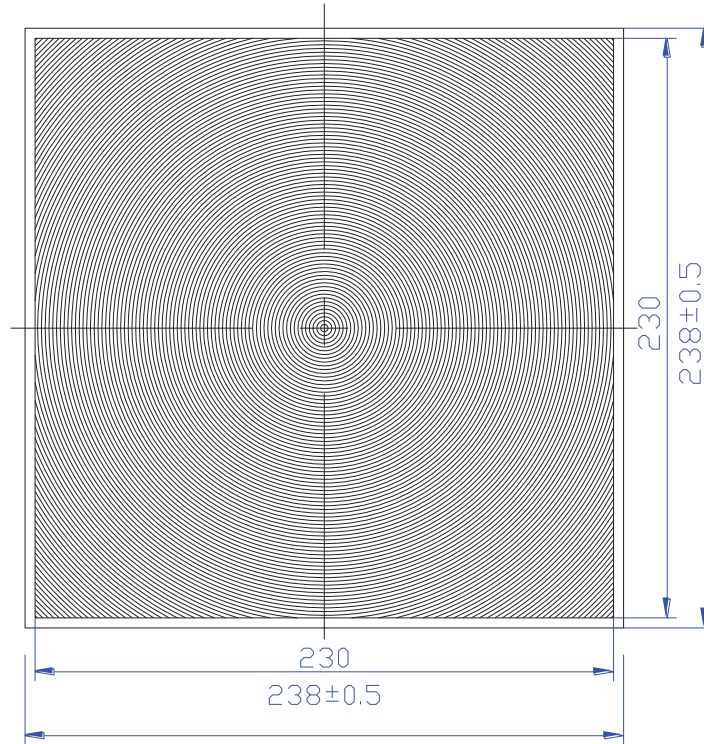
The cutting edge design of Fresnel lens and Solar panels generates superior amount of electricity, with customized lens size and incidence angle.



CP300-230



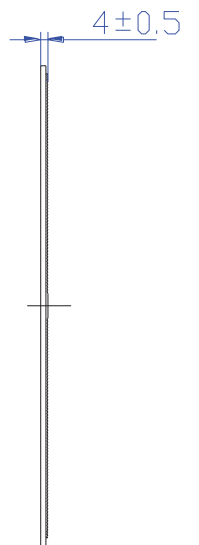
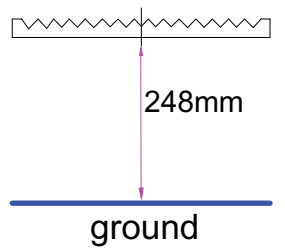
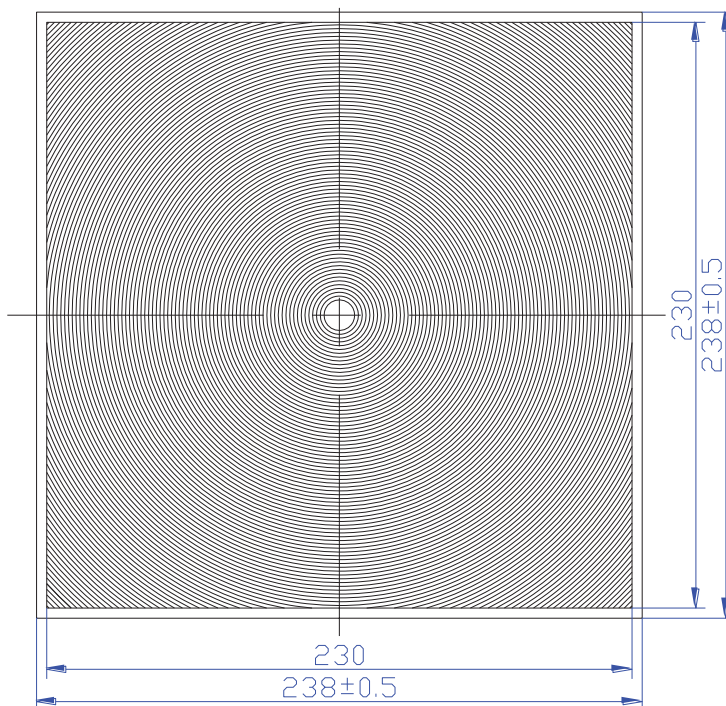
FOCUS	300
PITCH	0.5
MATERIAL	PMMA
UNIT	mm
TYPE	CPV



CP248-230



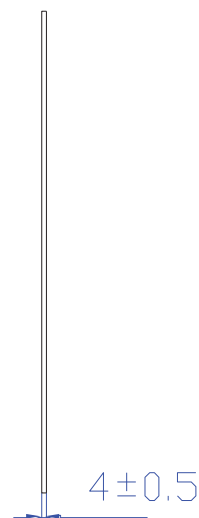
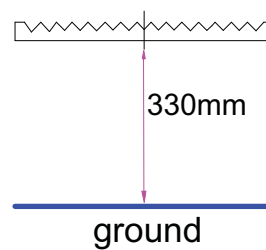
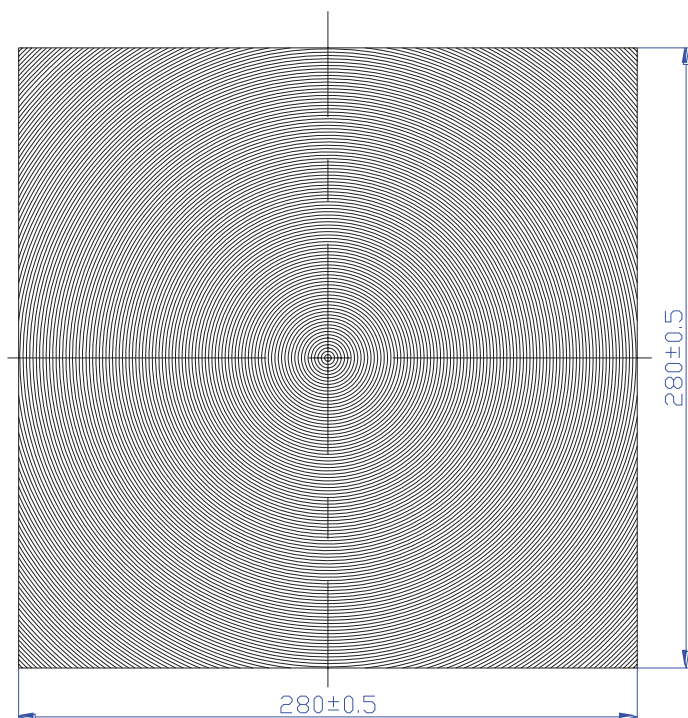
FOCUS	248
PITCH	1
MATERIAL	PMMA
UNIT	mm
TYPE	CPV



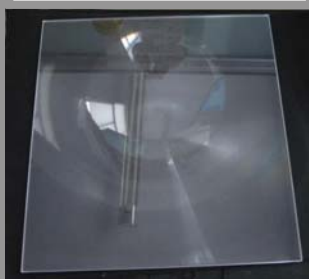
CP330-280



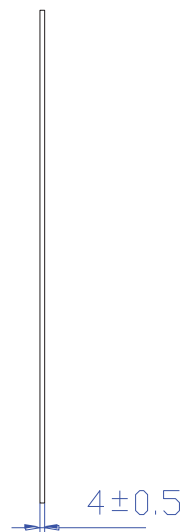
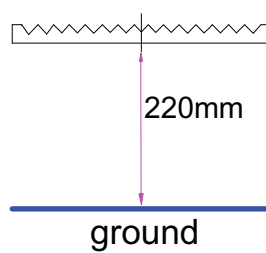
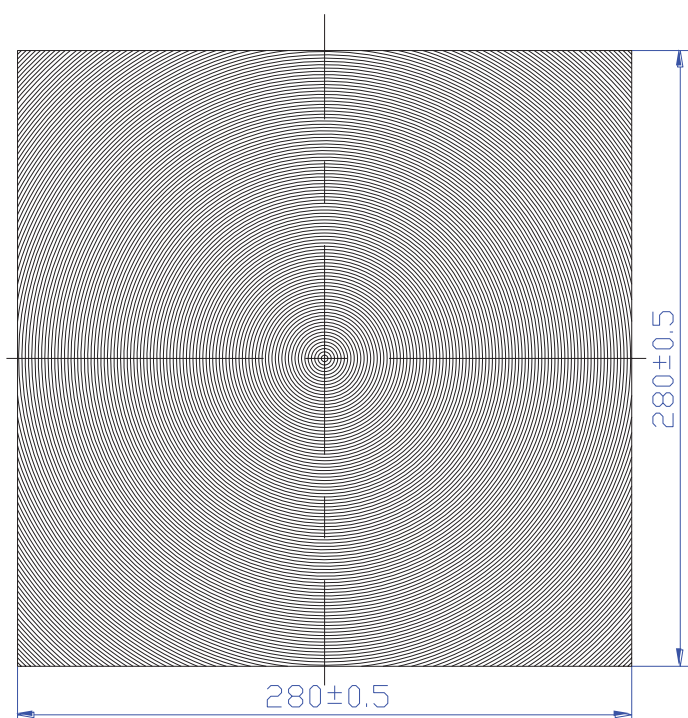
FOCUS	330
PITCH	0.5
MATERIAL	PMMA
UNIT	mm
TYPE	CPV



CP220-280



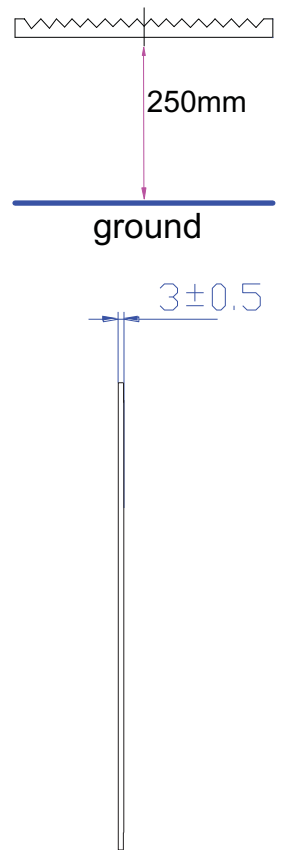
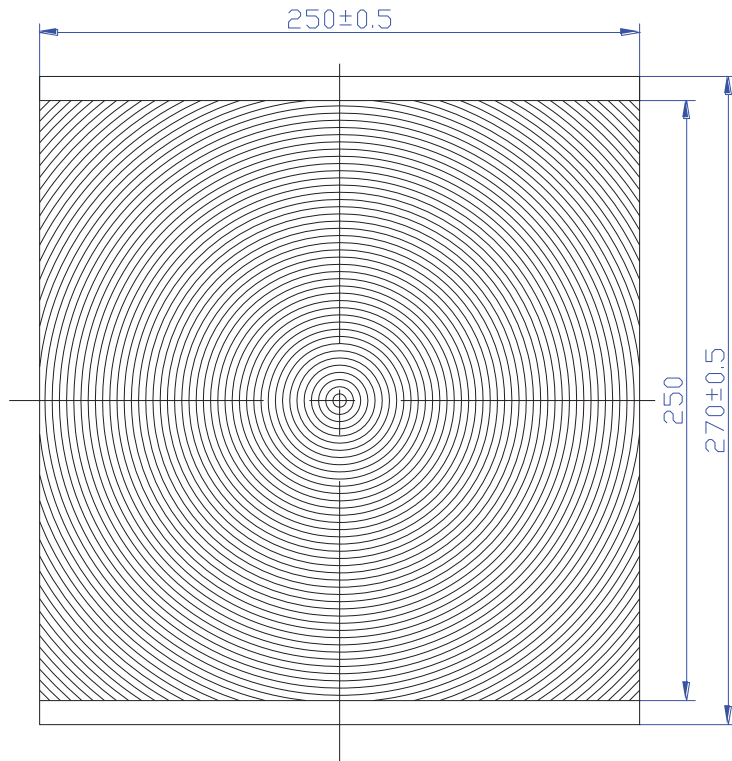
FOCUS	220
PITCH	0.5
MATERIAL	PMMA
UNIT	mm
TYPE	CPV



CP250-270



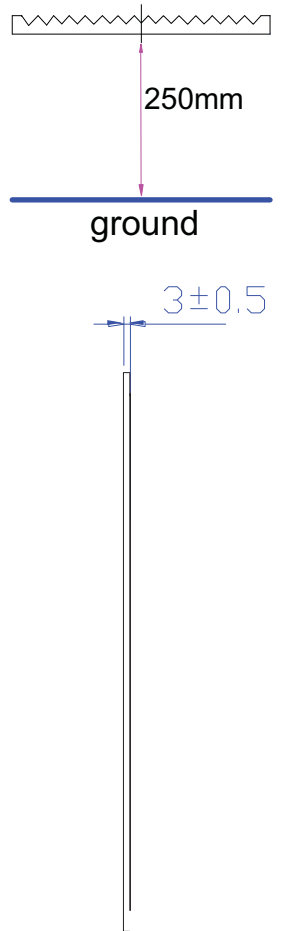
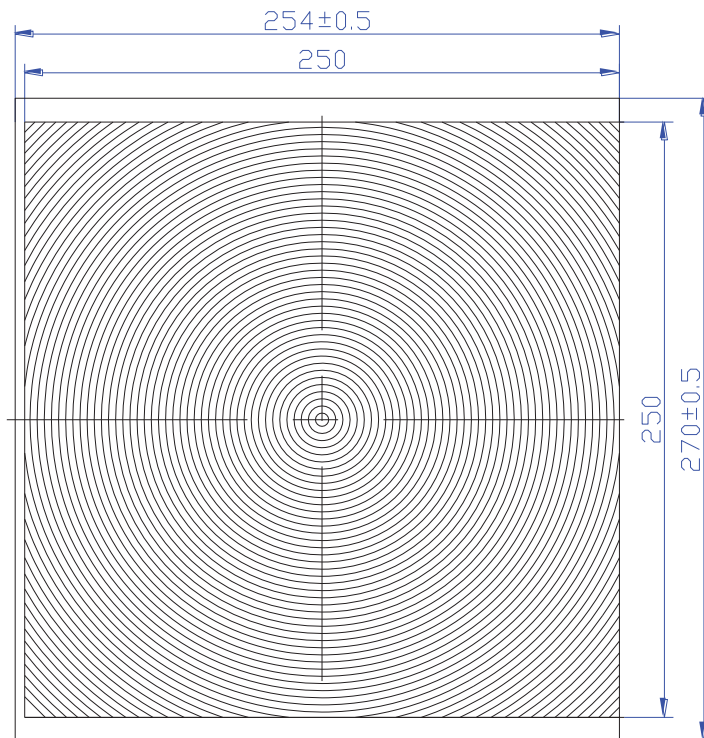
FOCUS	250
PITCH	1
MATERIAL	PMMA
UNIT	mm
TYPE	CPV



CP250-250



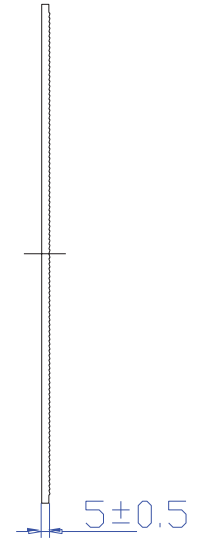
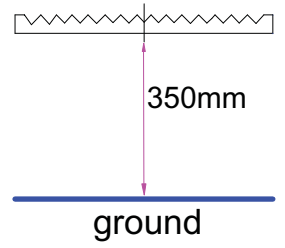
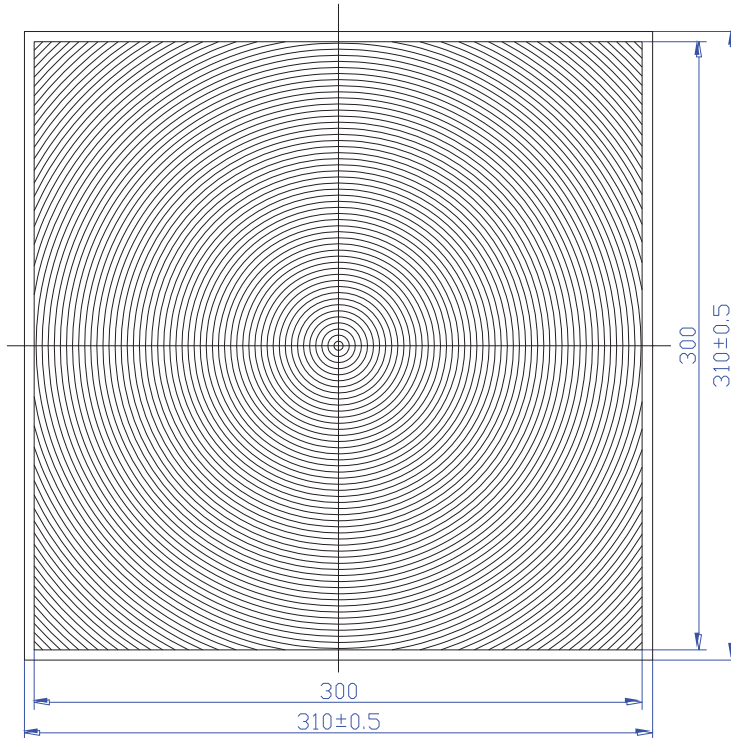
FOCUS	250
PITCH	1
MATERIAL	PMMA
UNIT	mm
TYPE	CPV



CP350-300



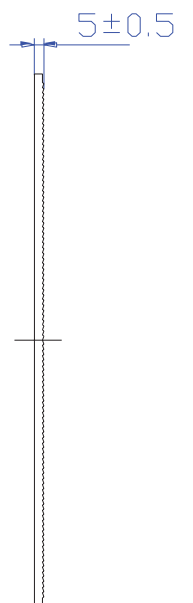
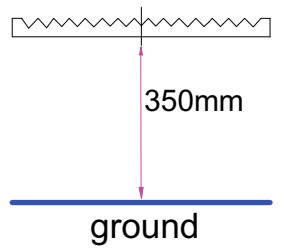
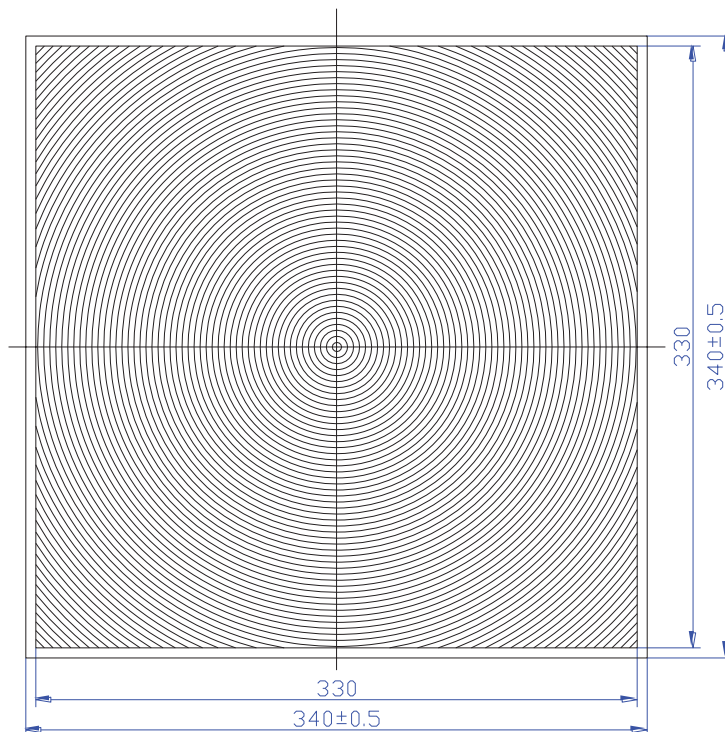
FOCUS	350
PITCH	1
MATERIAL	PMMA
UNIT	mm
TYPE	CPV



CP350-330C



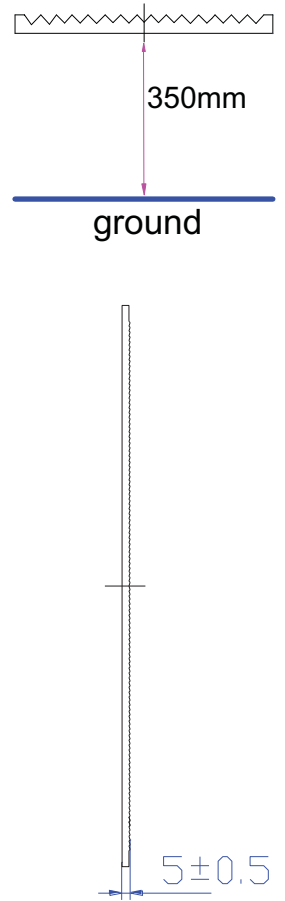
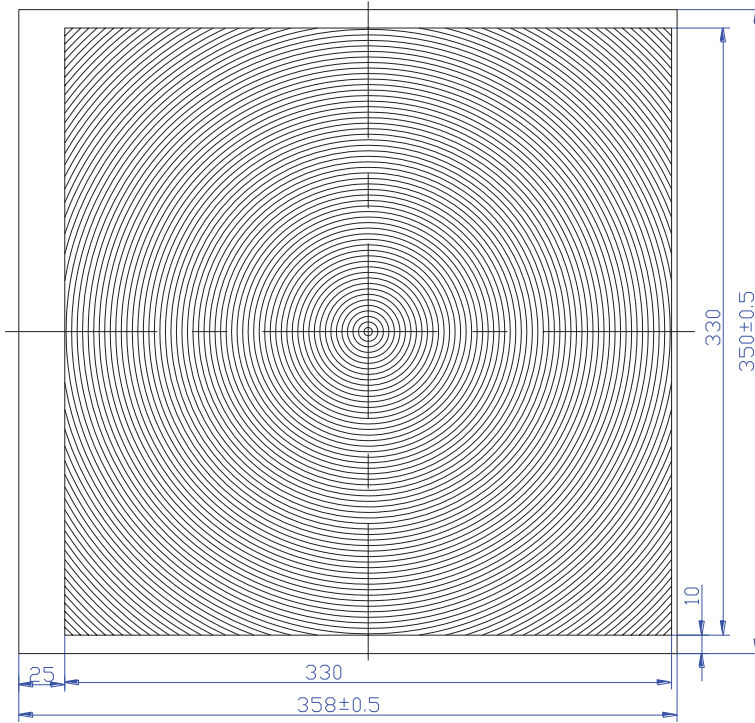
FOCUS	350
PITCH	1
MATERIAL	PMMA
UNIT	mm
TYPE	CPV



CP350-330B



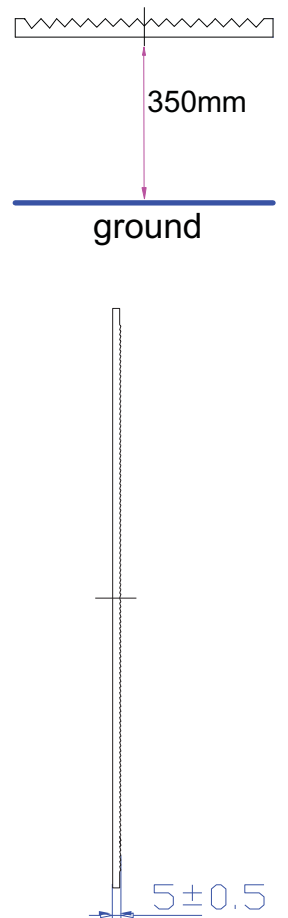
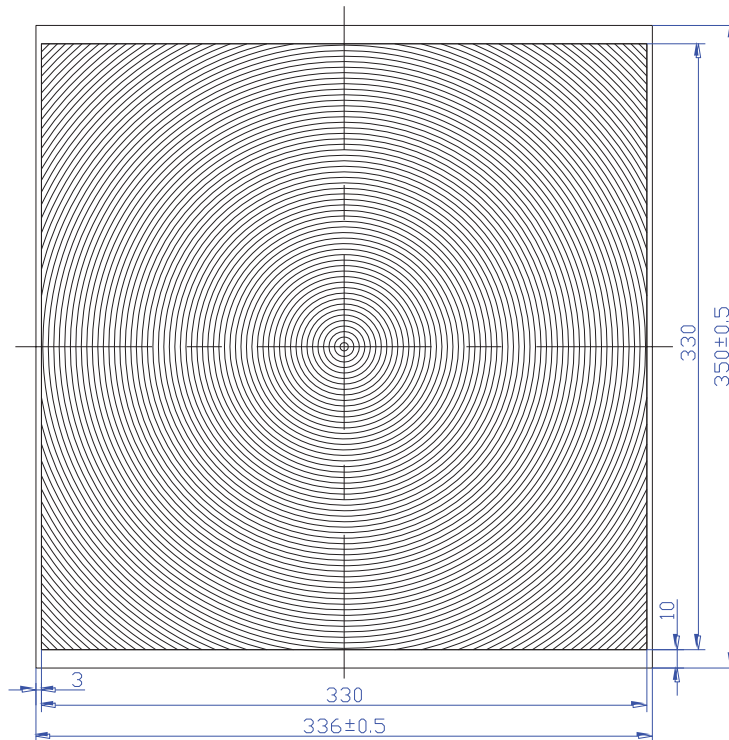
FOCUS	350
PITCH	1
MATERIAL	PMMA
UNIT	mm
TYPE	CPV



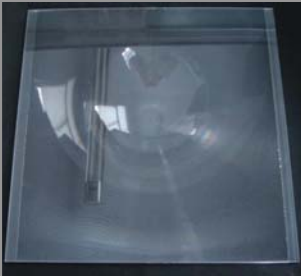
CP350-330



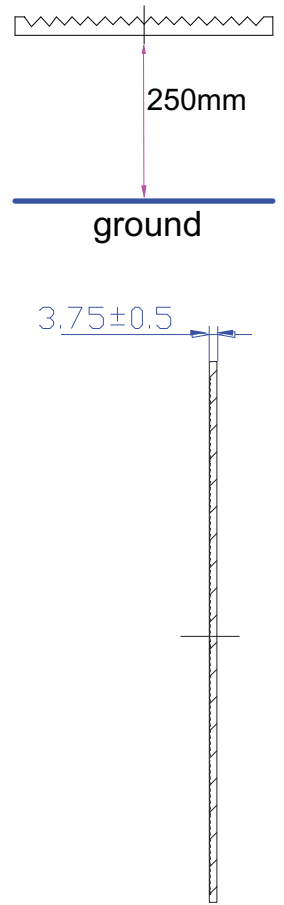
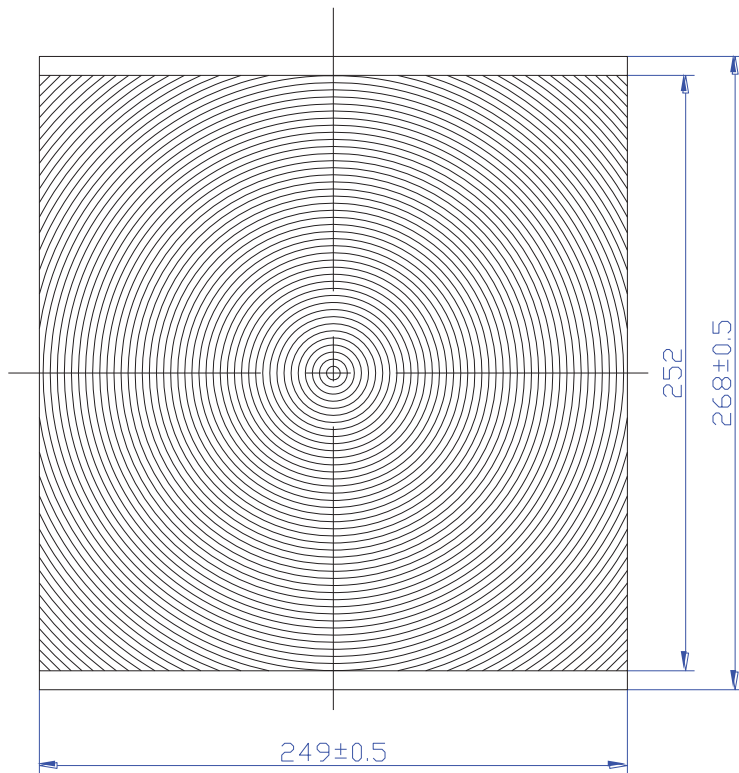
FOCUS	350
PITCH	1
MATERIAL	PMMA
UNIT	mm
TYPE	CPV



CP250-25249



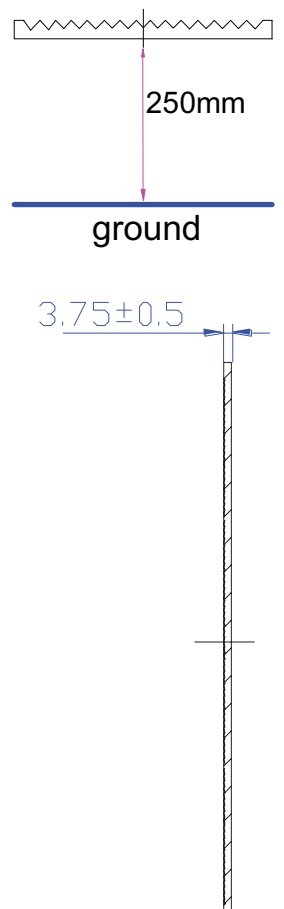
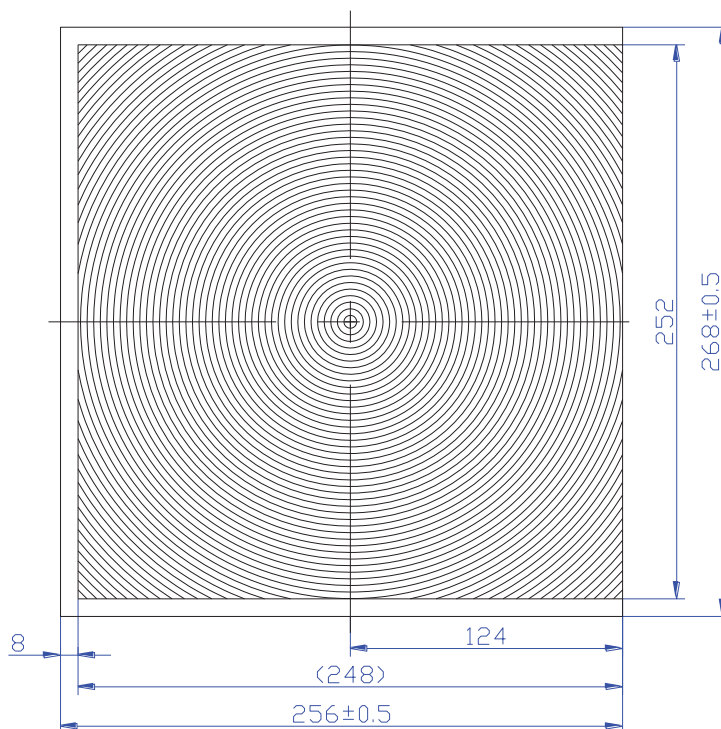
FOCUS	250
PITCH	1
MATERIAL	PMMA
UNIT	mm
TYPE	CPV



CP250-25248



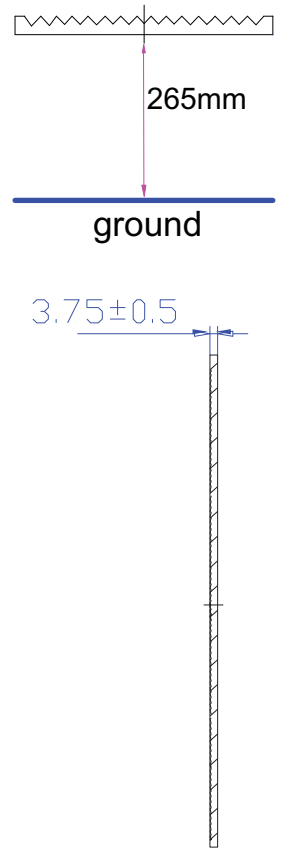
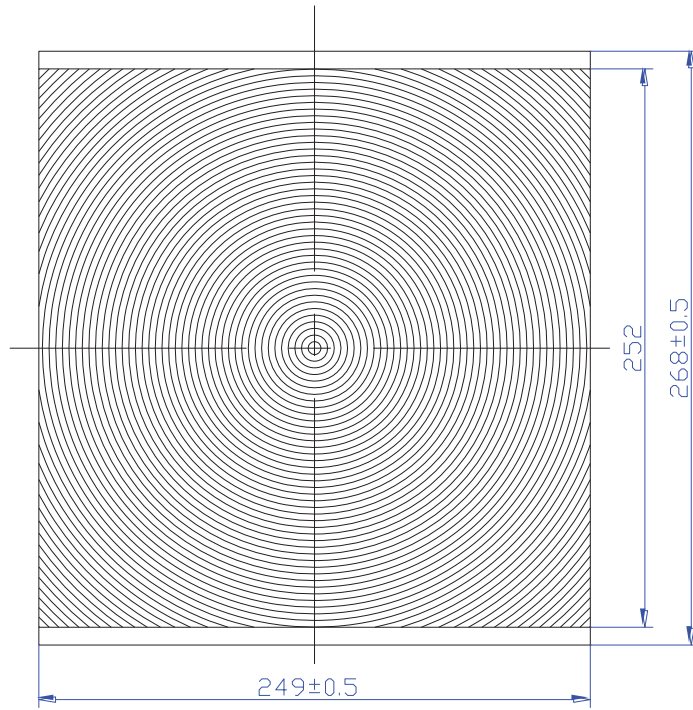
FOCUS	250
PITCH	1
MATERIAL	PMMA
UNIT	mm
TYPE	CPV



CP265-25249



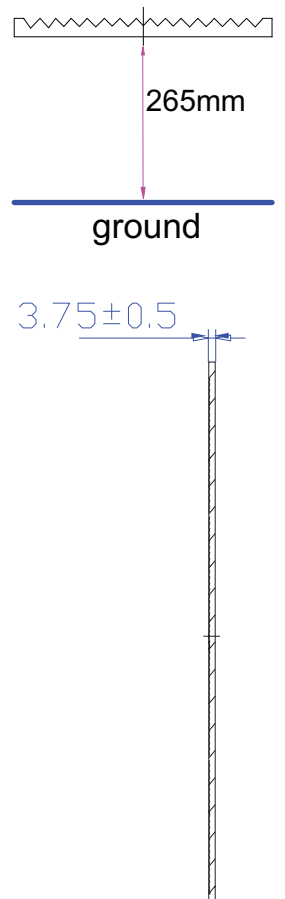
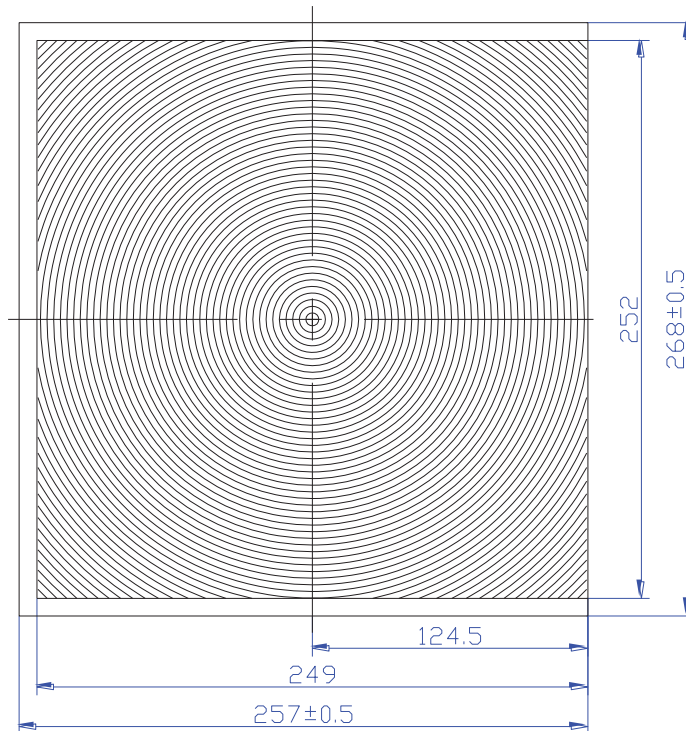
FOCUS	265
PITCH	1
MATERIAL	PMMA
UNIT	mm
TYPE	CPV



CP265-25249



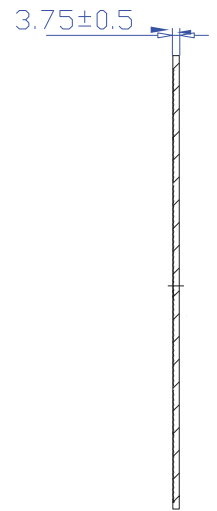
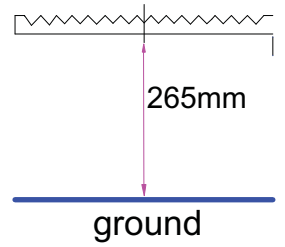
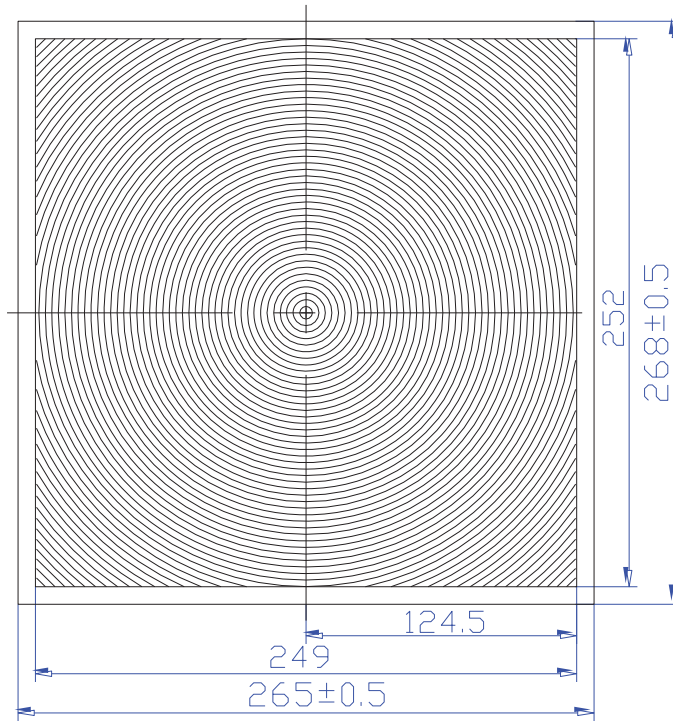
FOCUS	265
PITCH	1
MATERIAL	PMMA
UNIT	mm
TYPE	CPV



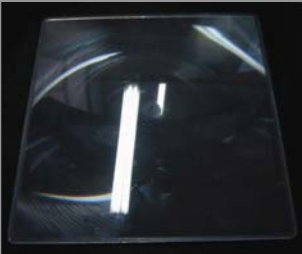
CP265-25249B



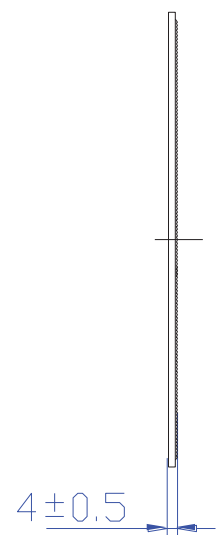
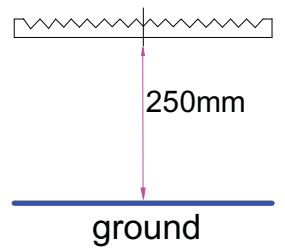
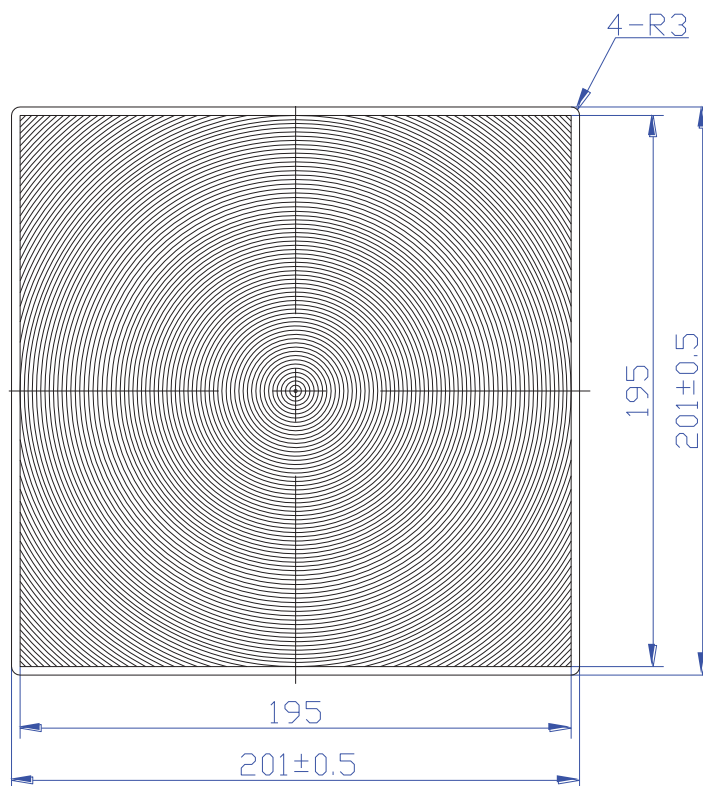
FOCUS	265
PITCH	1
MATERIAL	PMMA
UNIT	mm
TYPE	CPV



CP250-195

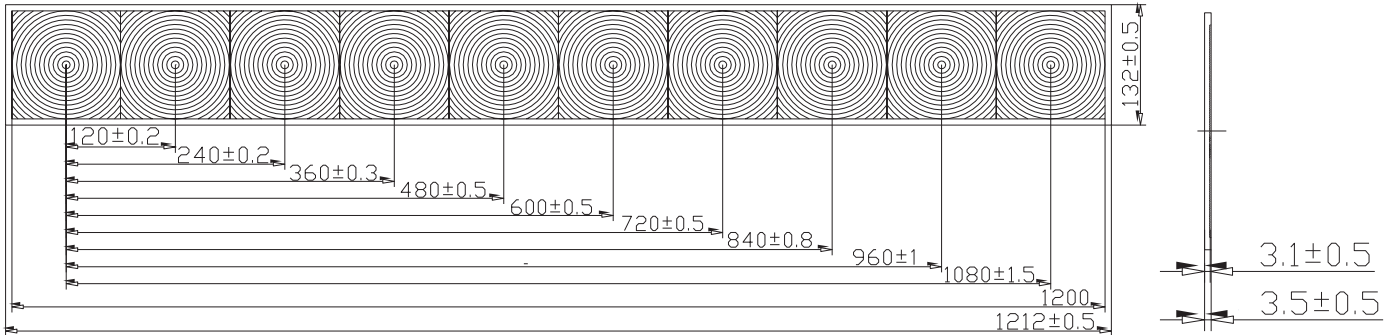
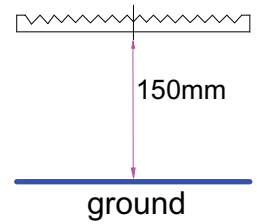


FOCUS	250
PITCH	1
MATERIAL	PMMA
UNIT	mm
TYPE	CPV



CP150-M1212

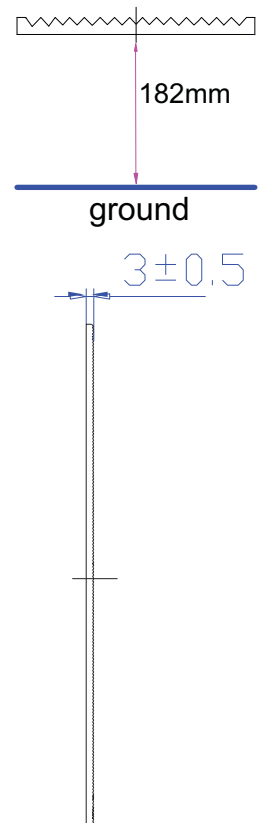
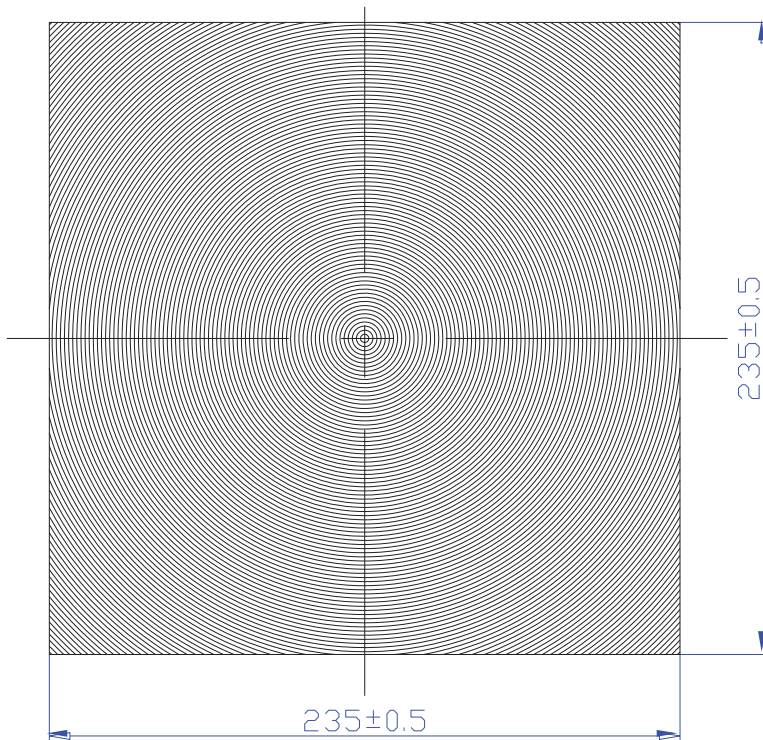
FOCUS	150
PITCH	1
MATERIAL	PMMA
UNIT	mm
TYPE	CPV



CP182-235



FOCUS	182
PITCH	0.5
MATERIAL	PMMA
UNIT	mm
TYPE	CPV



Contact us
 Tel. 82-2-3472-0673
 Fax. 82-2-522-9020
 Email. Kim.diypro@gmail.com
 URL. www.diypro.co.kr