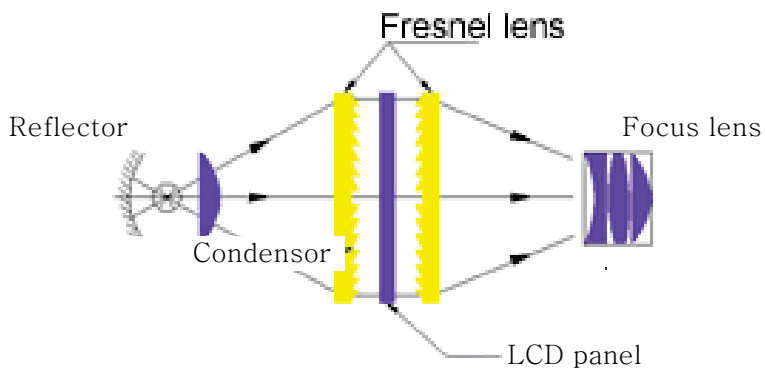


## The projecting camera uses the Fresnel lens

In order to enhance the projecting camera picture of the definition brightness, DiYPRO specially studied

- the fresnel lens of the use,
- the facet spacing and the tooth profile achieves the rationalization,
- the run up of picture,
- increasing trapezoid adjustment scope,
- the lens condensed the objective lens of one used eccentricity, whether the projecting camera were hoisting or puts on the tabletop, all could achieve the good reception of TV effect.

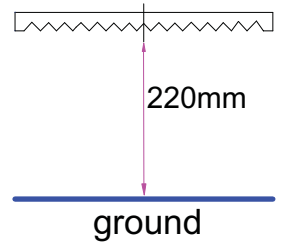
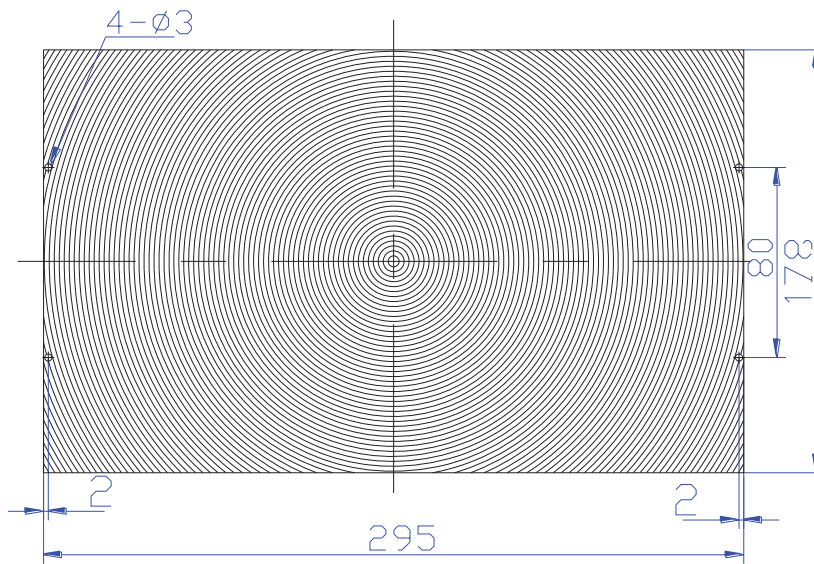
--  
Point of Contact  
Director  
Myung Joong KIM  
kim.diypro@gmail.com  
+82-70-7552-9006



# PS220-178



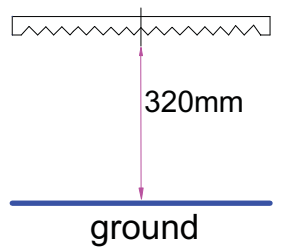
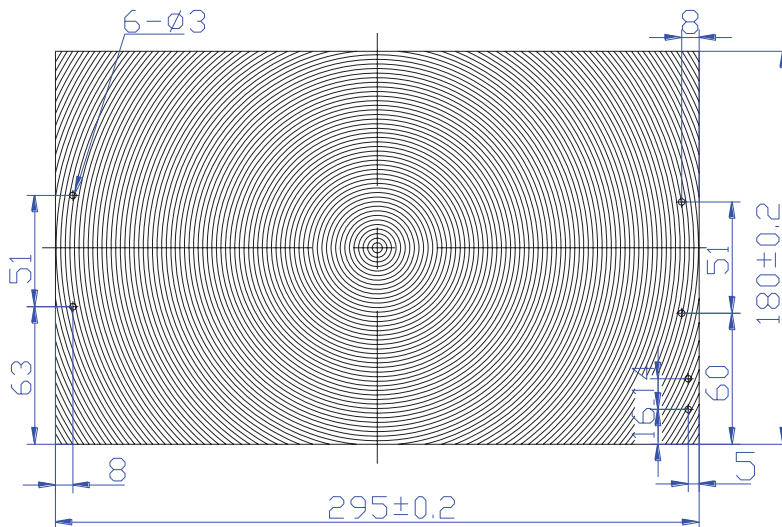
FOCUS	220
PITCH	0.5
MATERIAL	PMMA
UNIT	mm
TYPE	LCDprojector



# PS320-180

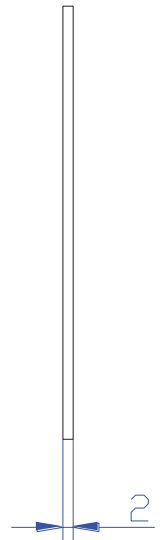
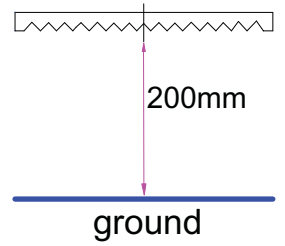
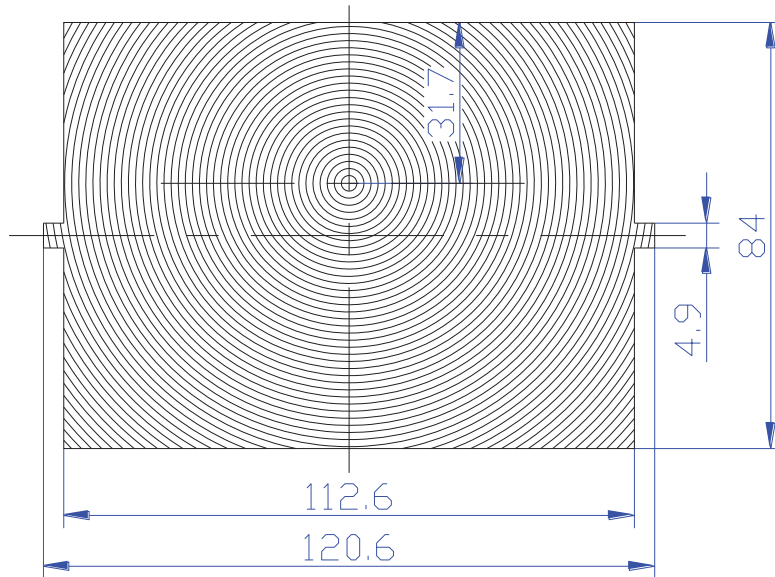


FOCUS	320
PITCH	0.5
MATERIAL	PMMA
UNIT	mm
TYPE	LCDprojector



# PH200-84

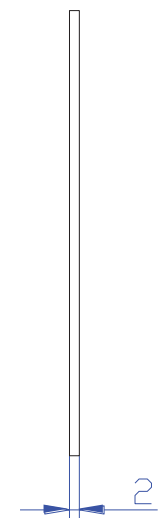
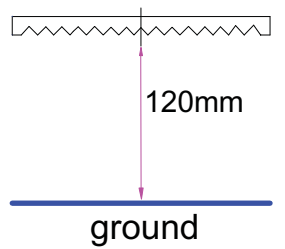
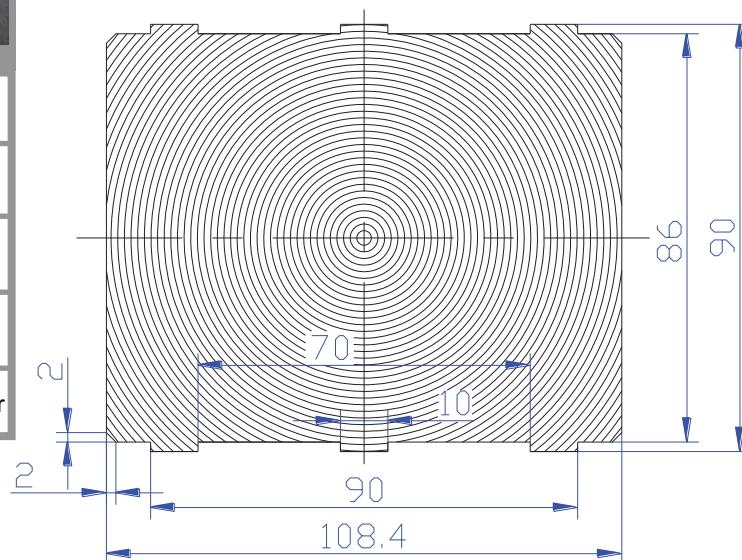
FOCUS	200
PITCH	0.3
MATERIAL	PMMA
UNIT	mm
TYPE	LCDprojector



# PH120-90



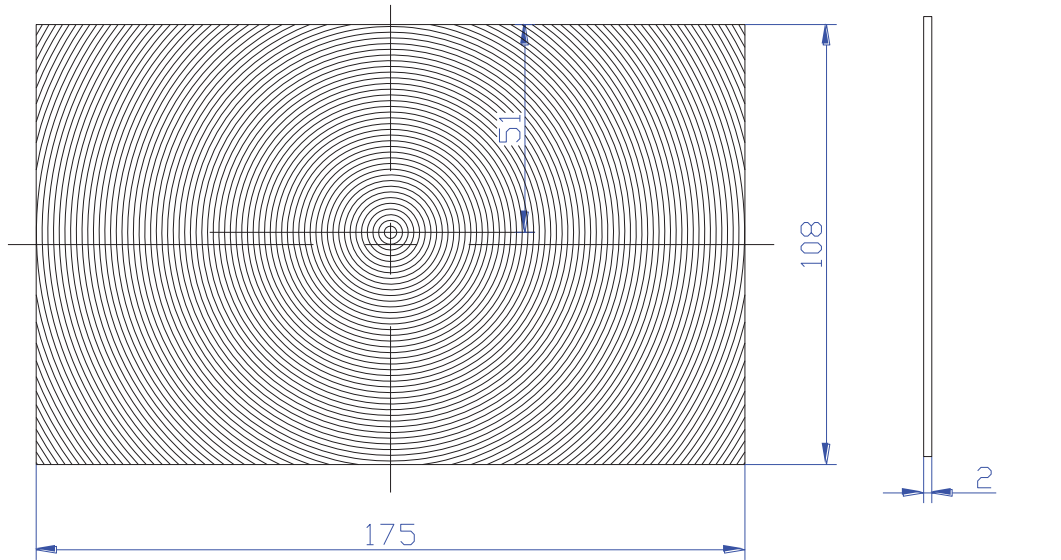
FOCUS	120
PITCH	0.3
MATERIAL	PMMA
UNIT	mm
TYPE	LCDprojector



# PS140-108



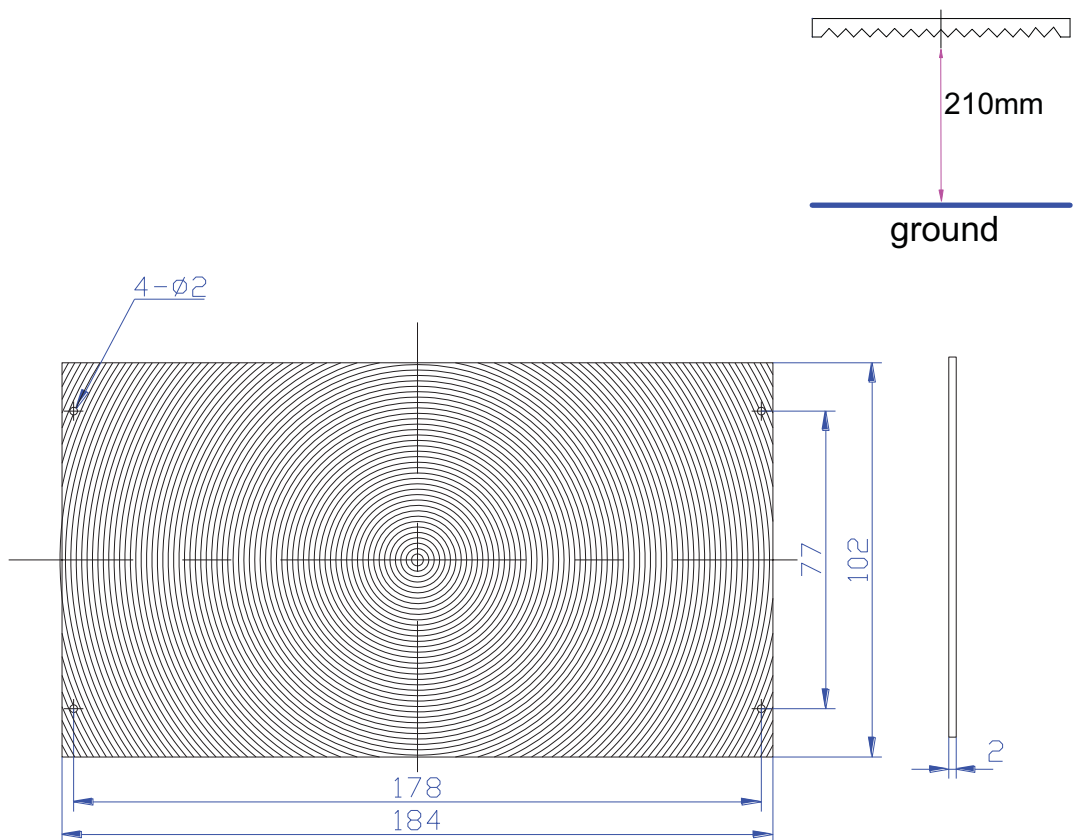
FOCUS	140
PITCH	0.3
MATERIAL	PMMA
UNIT	mm
TYPE	LCDprojector



# PS210-102



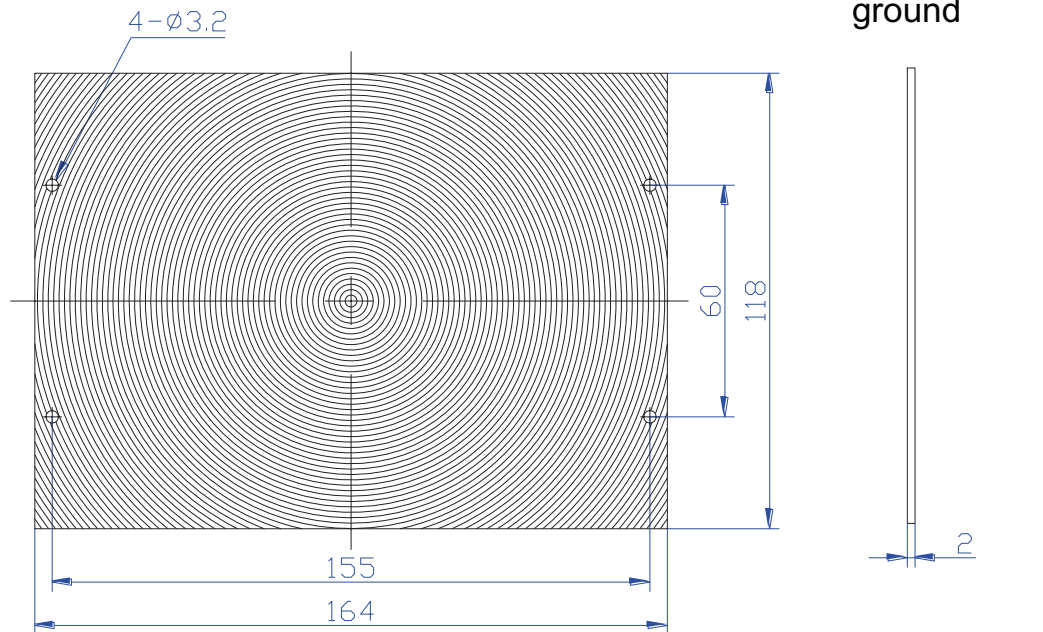
FOCUS	210
PITCH	0.5
MATERIAL	PMMA
UNIT	mm
TYPE	LCDprojector



## PS210-118



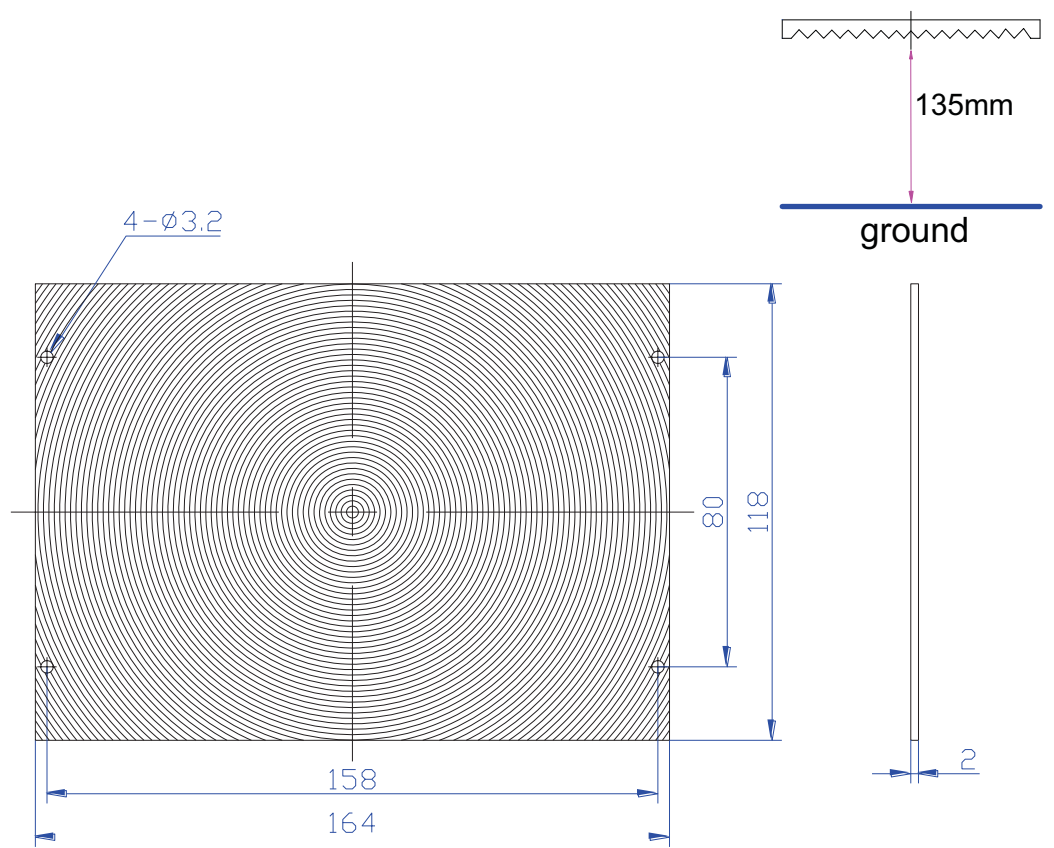
FOCUS	210
PITCH	0.5
MATERIAL	PMMA
UNIT	mm
TYPE	LCDprojector



## PS135-118



FOCUS	135
PITCH	0.3
MATERIAL	PMMA
UNIT	mm
TYPE	LCDprojector



Contact us  
Tel. 82-2-3472-0673  
Fax. 82-2-522-9020  
Email. [Kim.diypro@gmail.com](mailto:Kim.diypro@gmail.com)  
URL. [www.diypro.co.kr](http://www.diypro.co.kr)