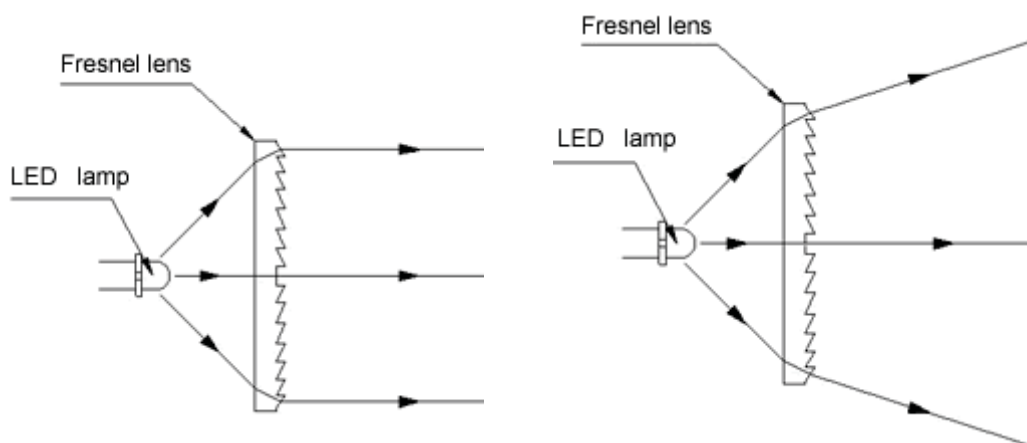


LED Lights

The Principles of LED lampshade are as follows :

1. With large reflection angle of the LED point lamp-house, the emanative ray spreads the heat and compares severity, making use of the Fresnel lens to gather the light function. The rays will be gathered by using valid scope therefore increase light effect and maximize brightness result.
2. The Fresnel lens is differentiated from traditional LED lamp, in terms of the design of focal length and distance, which establishes the effective emergent light angle.
3. Compared to traditional products, the super thin structure of Fresnel lens enables improved light transmissibility. In addition, it could be applied for various purposes with its small and condensed product design.

--
 Point of Contact
 Director
 Myung Joong KIM
 kim.diypro@gmail.com
 +82-70-7552-9006



Product picture:



Lights



Miner's lamp

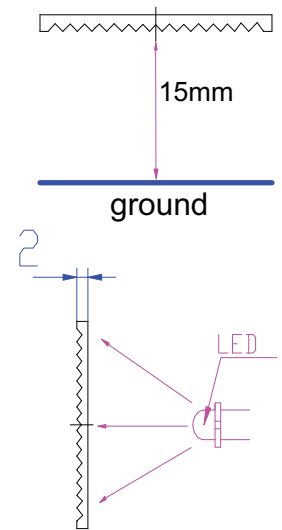
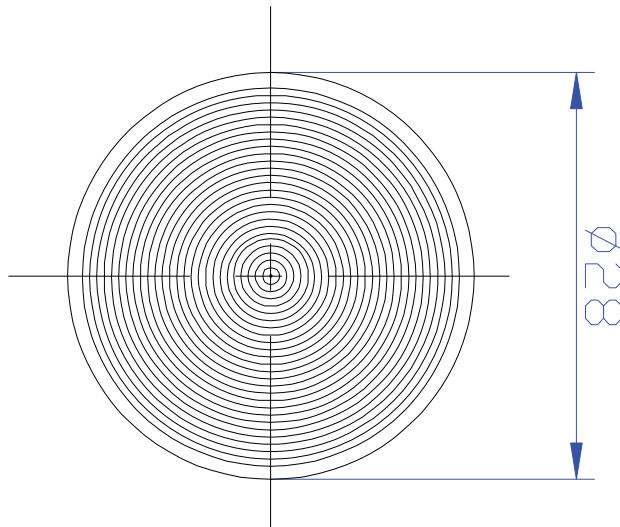


Shoots the lamp

LS15-04



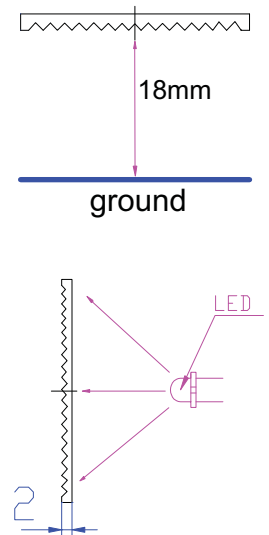
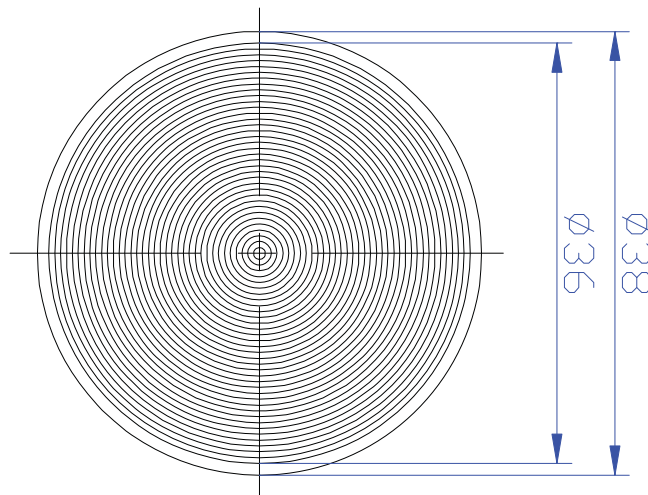
FOCUS	15
PITCH	0.4
MATERIAL	PMMA
UNIT	mm
TYPE	LED



LS18-03



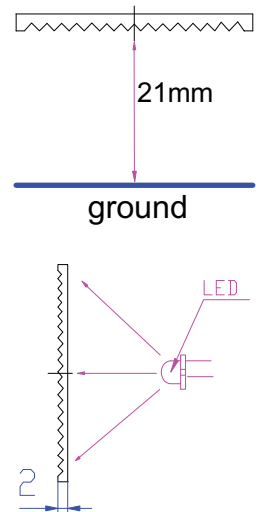
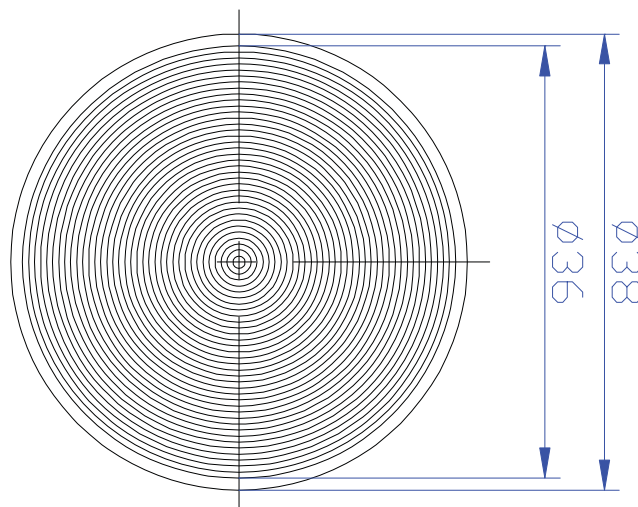
FOCUS	18
PITCH	0.3
MATERIAL	PMMA
UNIT	mm
TYPE	LED



LS21-03



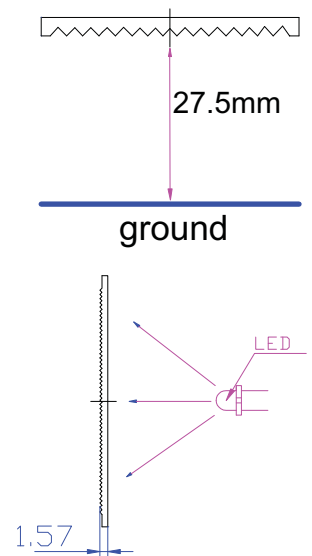
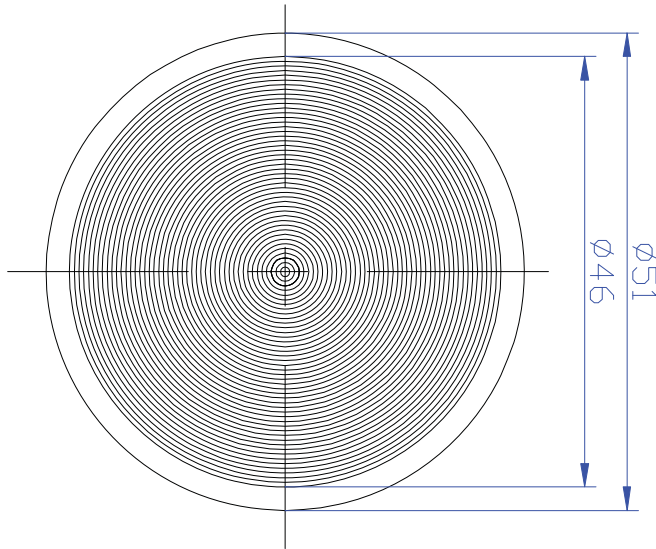
FOCUS	21
PITCH	0.3
MATERIAL	PMMA
UNIT	mm
TYPE	LED



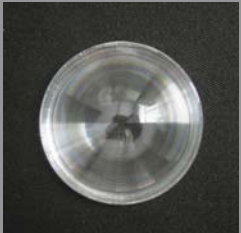
LS2705-05



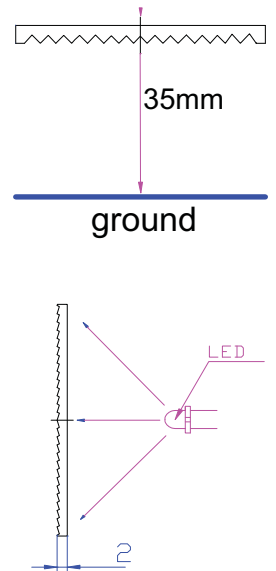
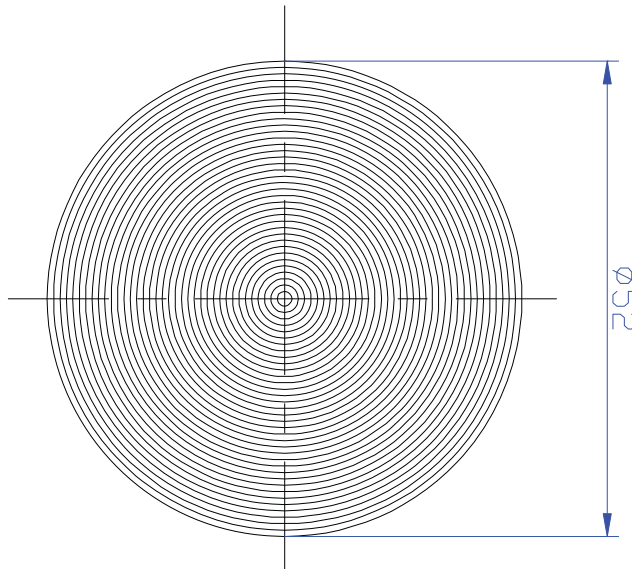
FOCUS	27.5
PITCH	0.5
MATERIAL	PMMA
UNIT	mm
TYPE	LED



LS35-05



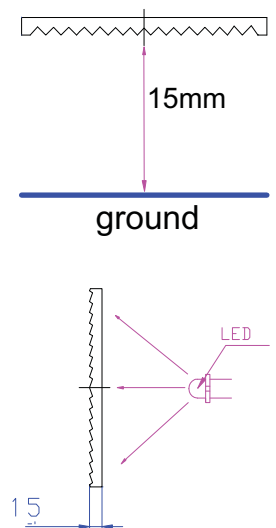
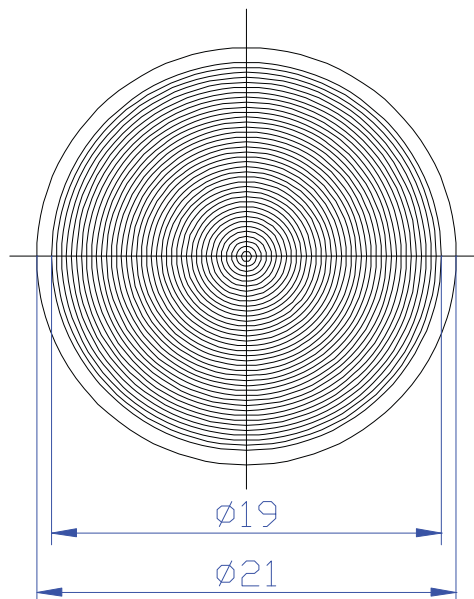
FOCUS	35
PITCH	0.5
MATERIAL	PMMA
UNIT	mm
TYPE	LED



LS15-03



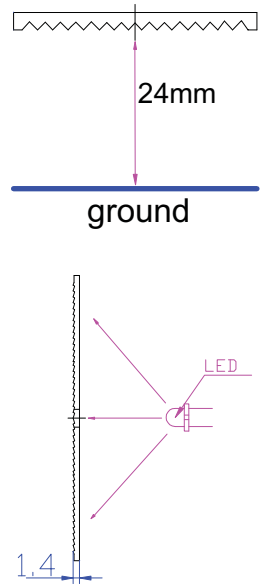
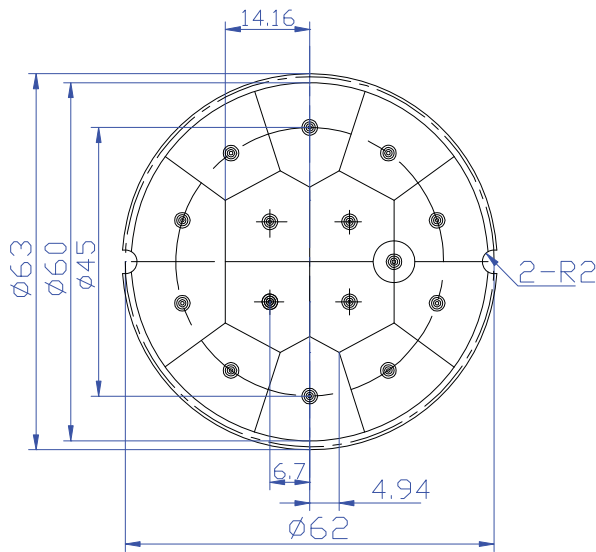
FOCUS	15
PITCH	0.3
MATERIAL	PMMA
UNIT	mm
TYPE	LED



LM24-026



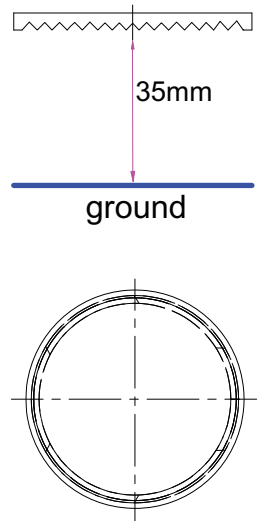
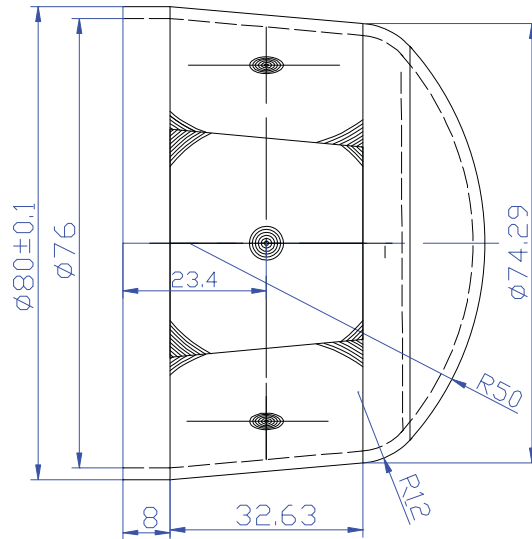
FOCUS	24
PITCH	0.26
MATERIAL	PMMA
UNIT	mm
TYPE	LED



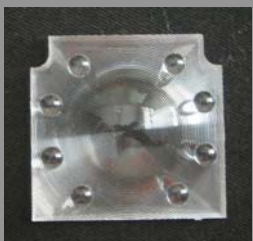
LS35-05D



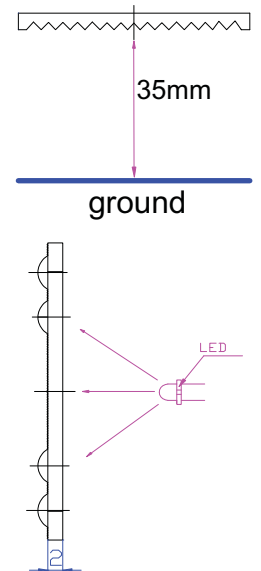
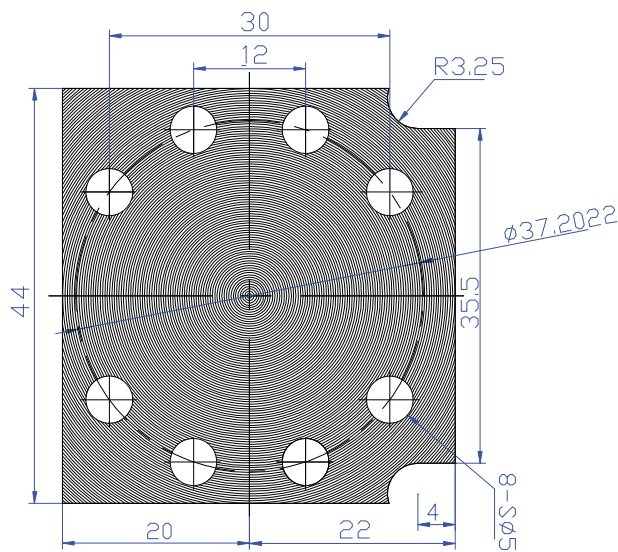
FOCUS	35
PITCH	0.5
MATERIAL	PMMA
UNIT	mm
TYPE	LED



LM35-05



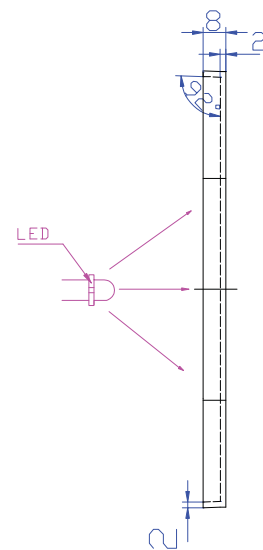
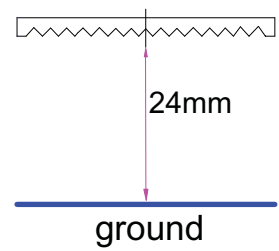
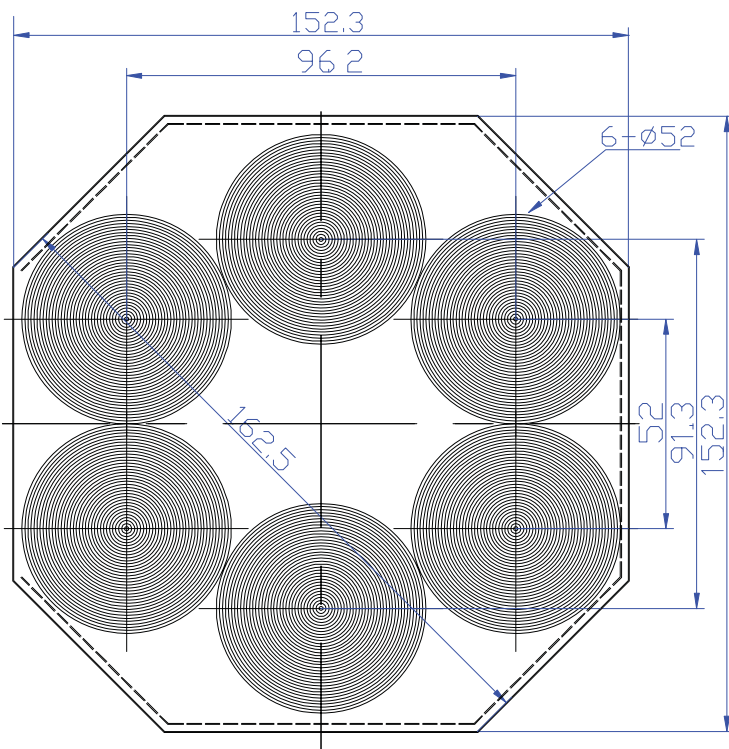
FOCUS	35
PITCH	0.5
MATERIAL	PMMA
UNIT	mm
TYPE	LED



LM24-03



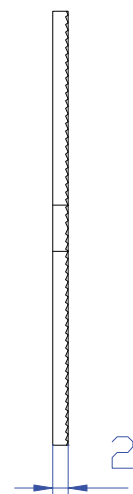
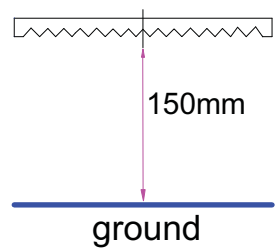
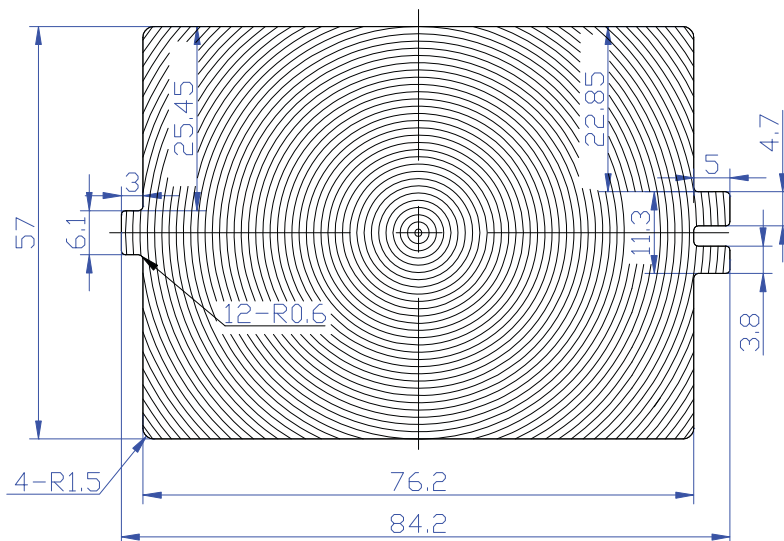
FOCUS	24
PITCH	0.3
MATERIAL	PMMA
UNIT	mm
TYPE	LED



LS150-035S



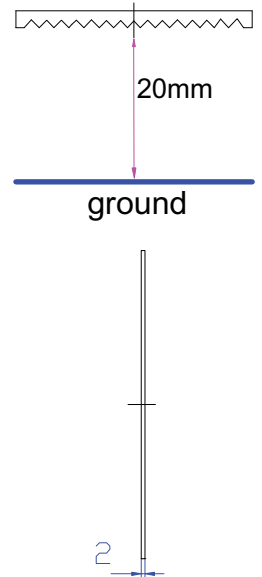
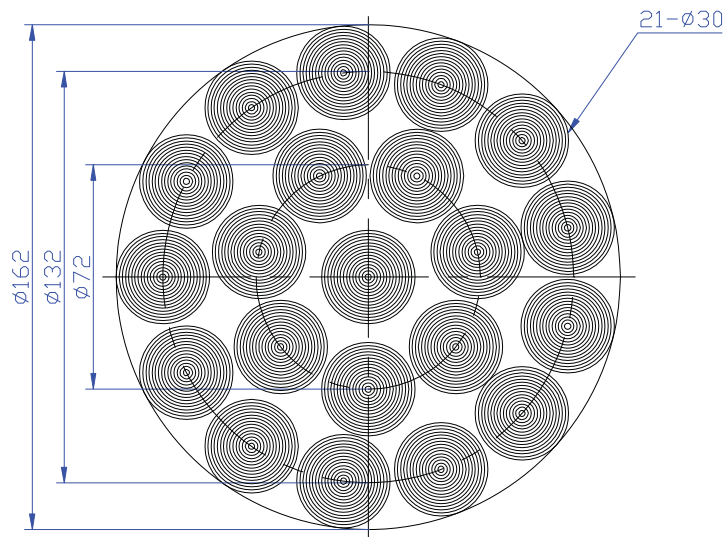
FOCUS	150
PITCH	0.35
MATERIAL	PMMA
UNIT	mm
TYPE	LED



LM20-01B



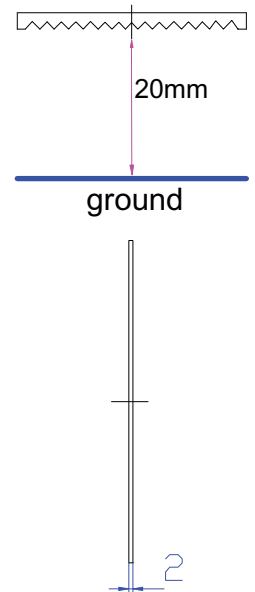
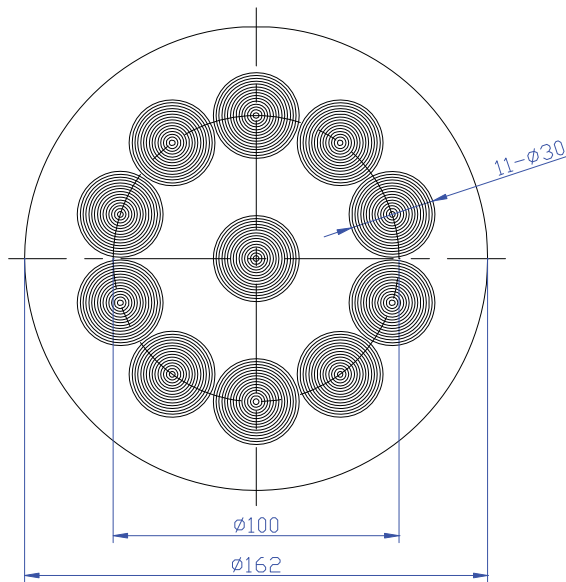
FOCUS	20
PITCH	0.1
MATERIAL	PMMA
UNIT	mm
TYPE	LED



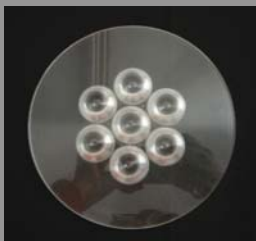
LM20-01M



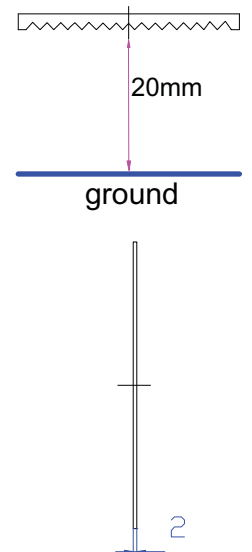
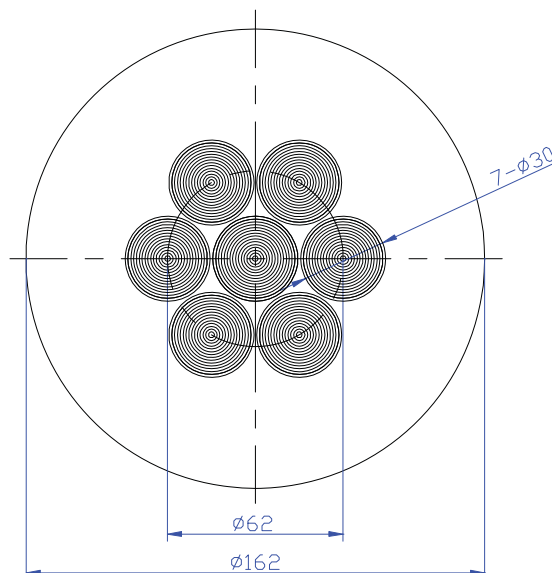
FOCUS	20
PITCH	0.1
MATERIAL	PMMA
UNIT	mm
TYPE	LED



LM20-01S



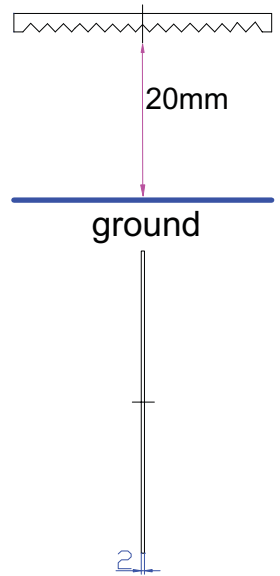
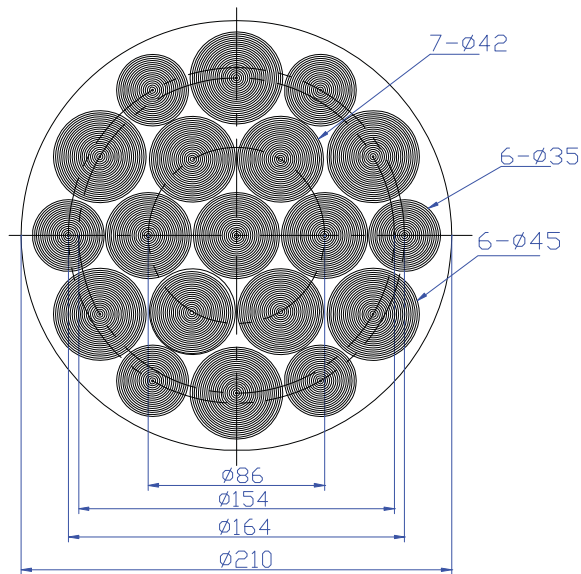
FOCUS	20
PITCH	0.1
MATERIAL	PMMA
UNIT	mm
TYPE	LED



LM20-01V



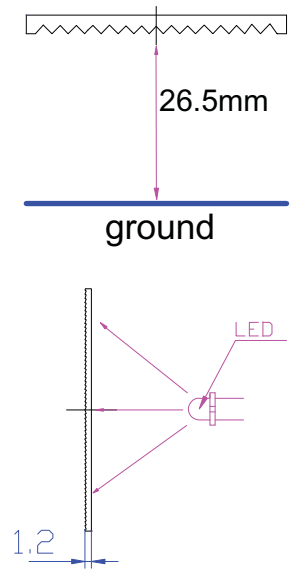
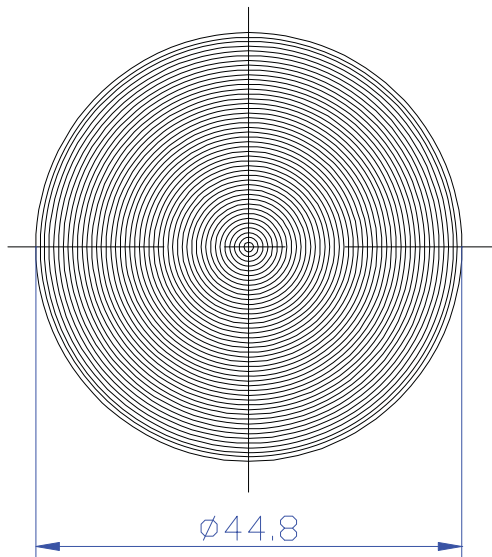
FOCUS	20
PITCH	0.1
MATERIAL	PMMA
UNIT	mm
TYPE	LED



LS2605-02



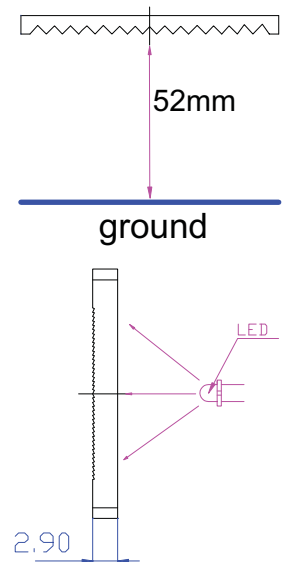
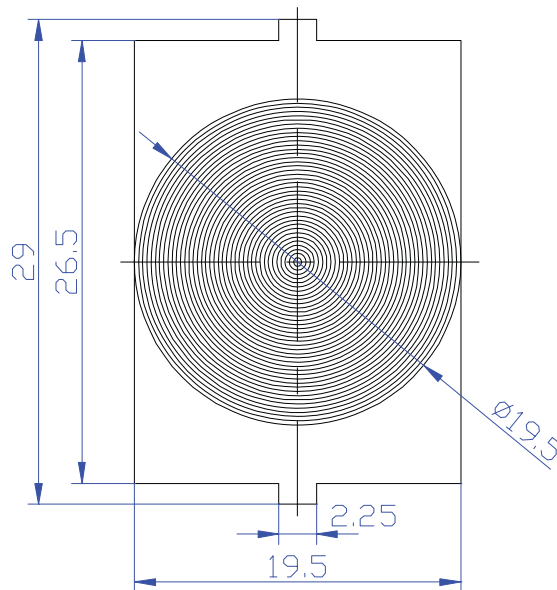
FOCUS	26.5
PITCH	0.2
MATERIAL	PMMA
UNIT	mm
TYPE	LED



LS52-04

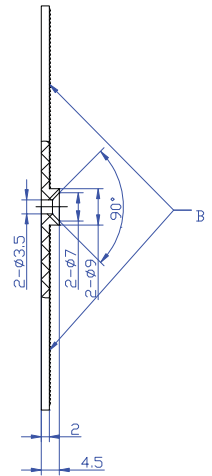
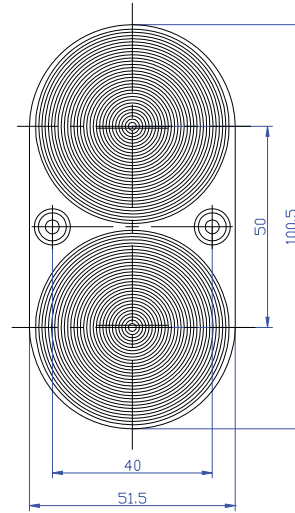
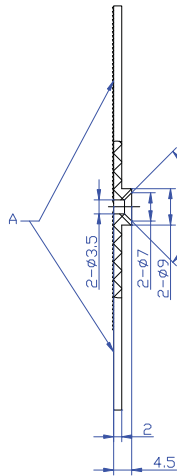
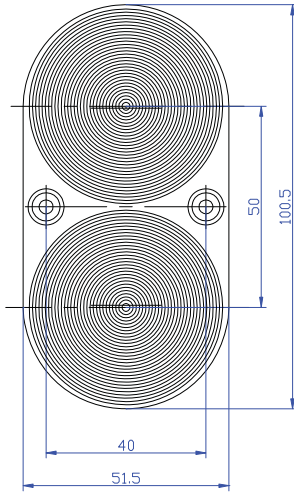
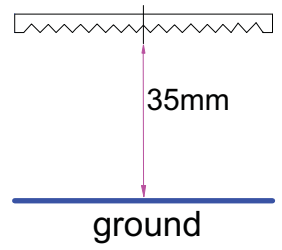


FOCUS	52
PITCH	0.4
MATERIAL	PMMA
UNIT	mm
TYPE	LED



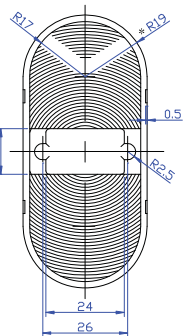
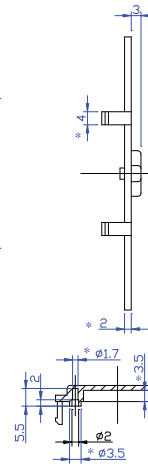
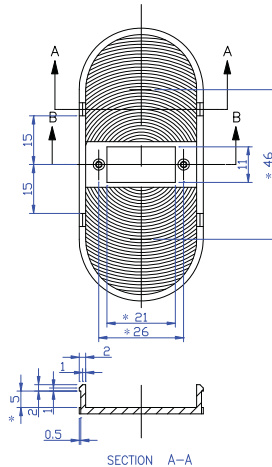
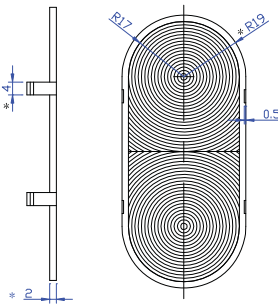
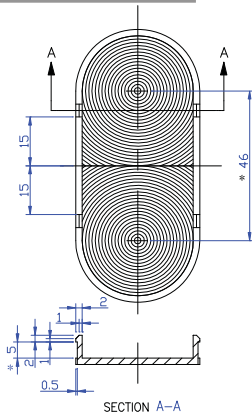
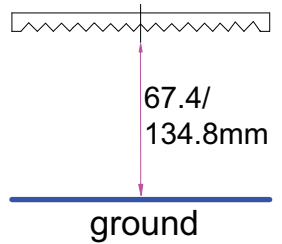
LM35-05

FOCUS	35
PITCH	0.5
MATERIAL	PMMA
UNIT	mm
TYPE	LED



LM6704-025

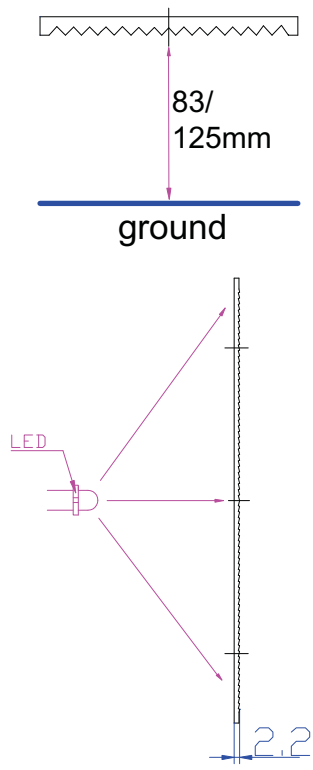
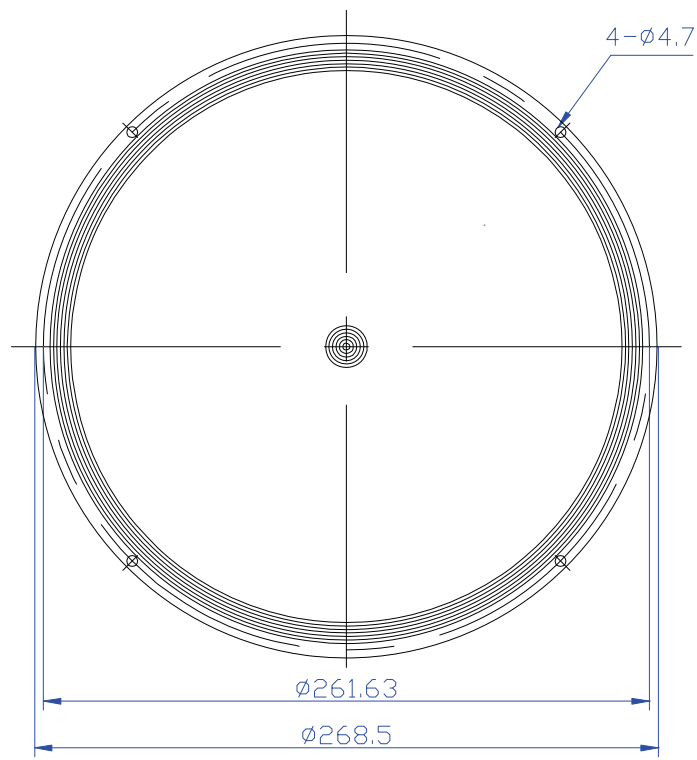
FOCUS	67.4/134.8
PITCH	0.25
MATERIAL	PMMA
UNIT	mm
TYPE	LED



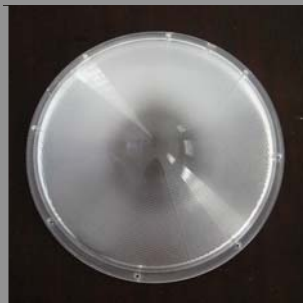
LM83-025



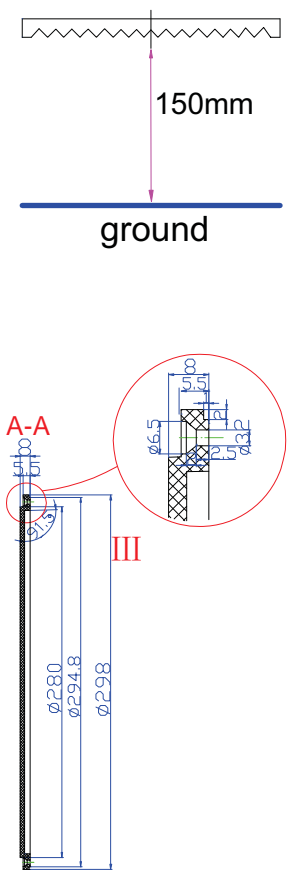
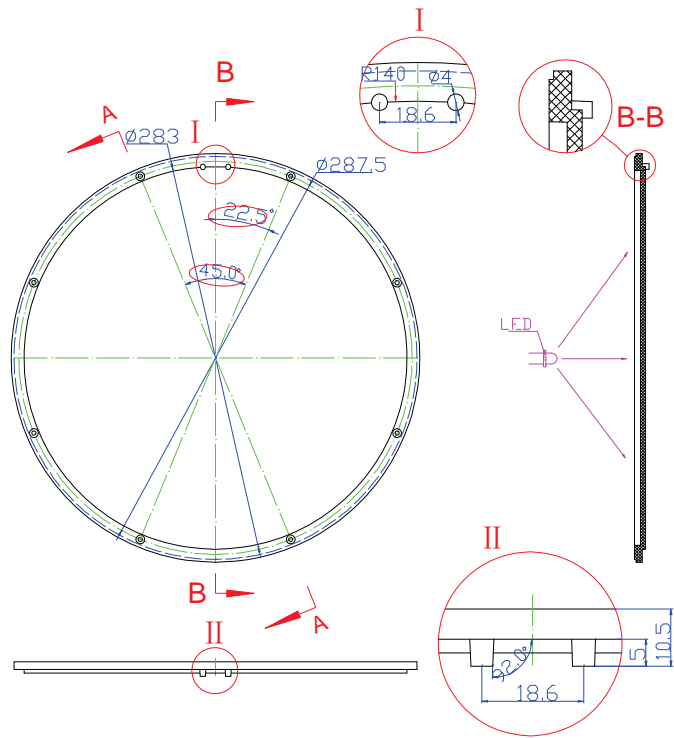
FOCUS	83/125
PITCH	0.25
MATERIAL	PMMA
UNIT	mm
TYPE	LED



LS150-035



FOCUS	150
PITCH	0.35
MATERIAL	PMMA
UNIT	mm
TYPE	LED



Contact us
 Tel. 82-2-3472-0673
 Fax. 82-2-522-9020
 Email. Kim.diypro@gmail.com
 URL. www.diypro.co.kr

