

# Lens TMOS06-12005 for TMOS EVK

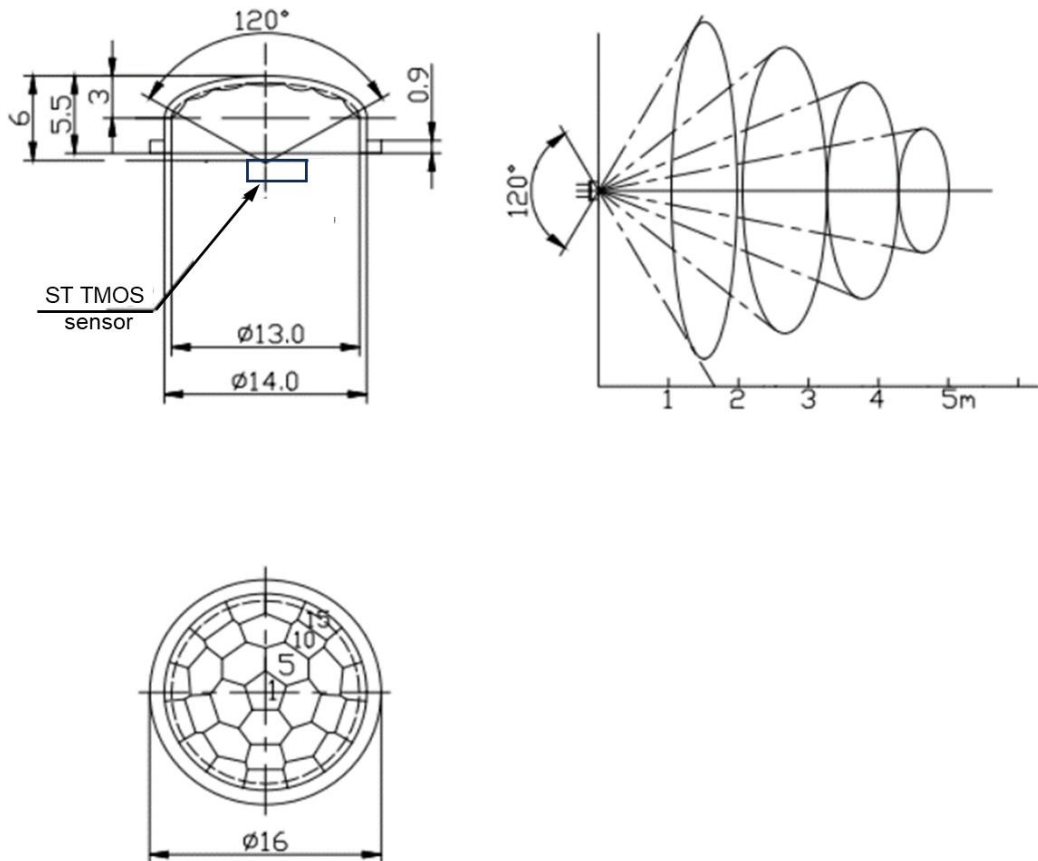
(Ceiling mounted motion detectors lens)

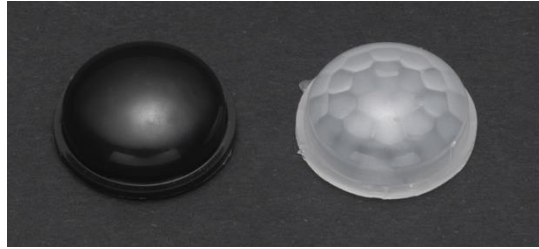
This document specifies TMOS sensor **STHS34PF80** from STMicroelectronics, PCB **TMOS 34PF80 Rev 2.1 noled Front Cable** and Lens **TMOS06-12005** from Fresnel Factory Inc.

PD06-12005 is suitable for ceiling mounted motion detectors and presence sensors.

Detection performance can be different according to test setting and room condition. The performance in this document is based on room temperature 25 Celsius,

## 1. Dimension and Detection range of TMOS06-12005



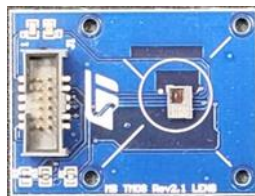


## 2. Housing for EVK with PCB TMOS\_34PF80 Rev2.1\_noled\_FrontCable.

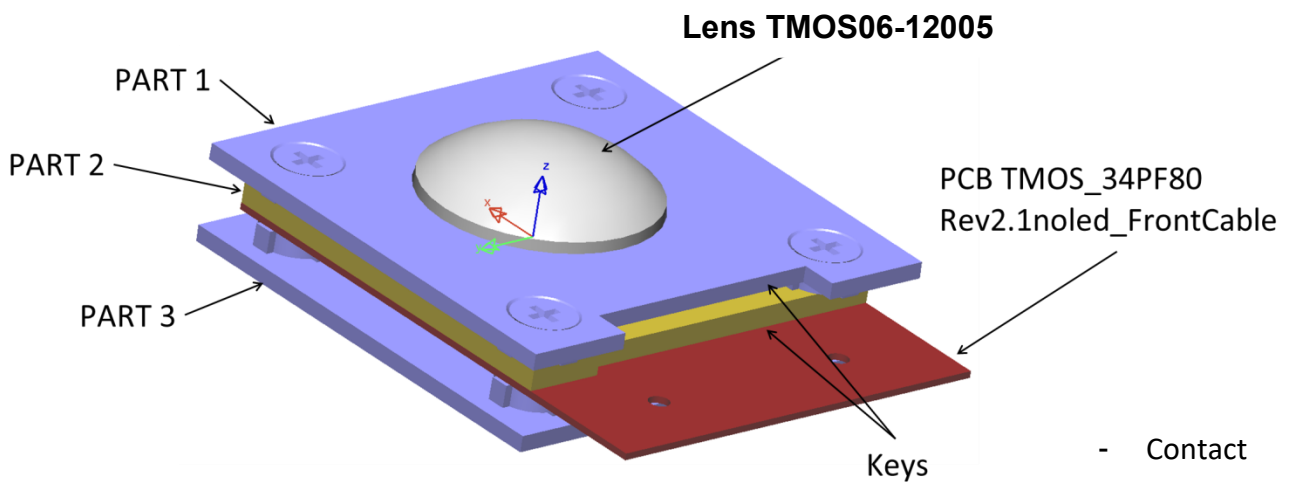
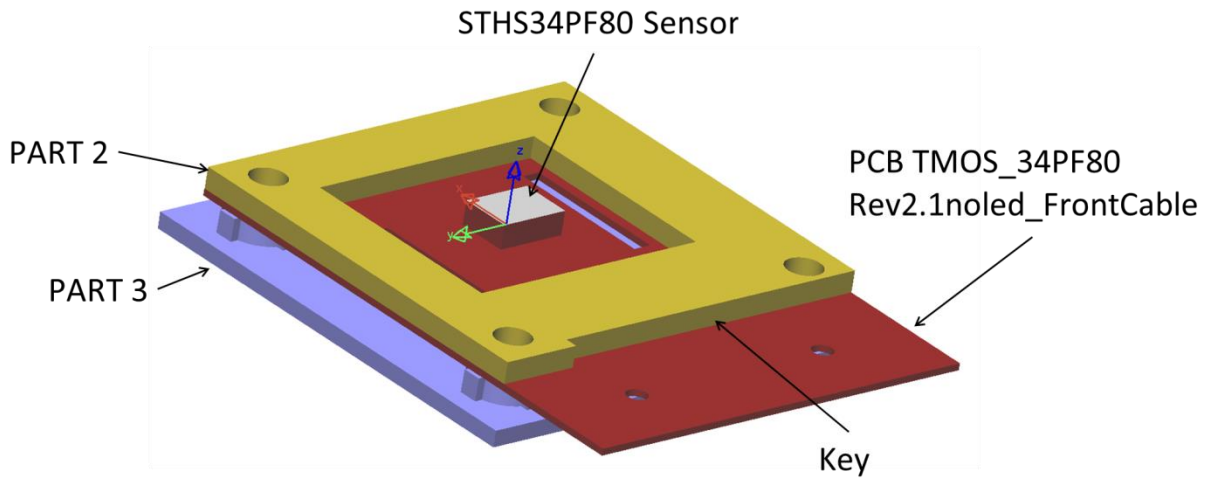
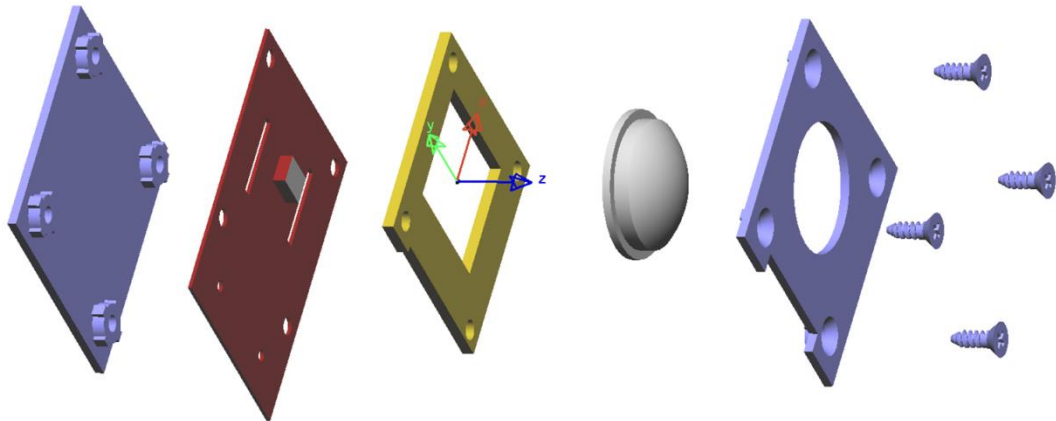
Please download 3D STP file for 3D printing in link below.

<p>Part 1</p> <p><a href="https://drive.google.com/file/d/1ZdcRpkJutufgVatGQhTXwaHeWHPsv3HJ/view?usp=drive_link">https://drive.google.com/file/d/1ZdcRpkJutufgVatGQhTXwaHeWHPsv3HJ/view?usp=drive_link</a></p>	<p>Part 2</p> <p><a href="https://drive.google.com/file/d/1Q5gBqKS3IjYMkLcVasD-vkzgRXAFTosE/view?usp=drive_link">https://drive.google.com/file/d/1Q5gBqKS3IjYMkLcVasD-vkzgRXAFTosE/view?usp=drive_link</a></p>	
--	--	--

Housing consists 3 Parts with Directional Keys. All keys must be faced to the PCB connector (see picture below). Housing fastened by 4 Philips self-tapping Screws M2x8.



PCB TMOS\_34PF80Rev2.1\_noled\_FrontCable



- Contact  
Fresnel Factory Inc.  
Ashton Myung KIM  
ashton@fresnelfactory.com  
+82 10-5248-4630