

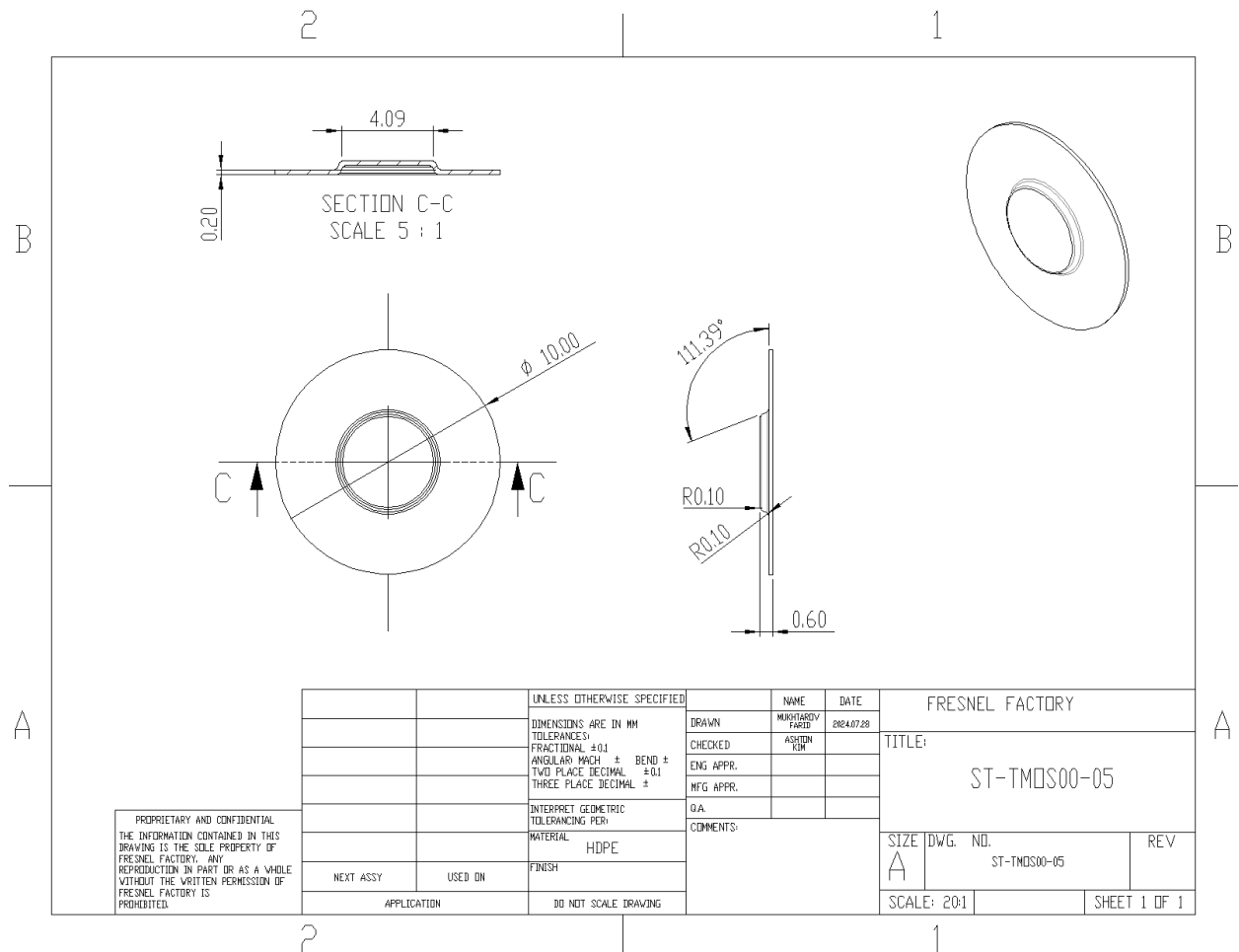
TMOS 00-05 for STHS34PF80

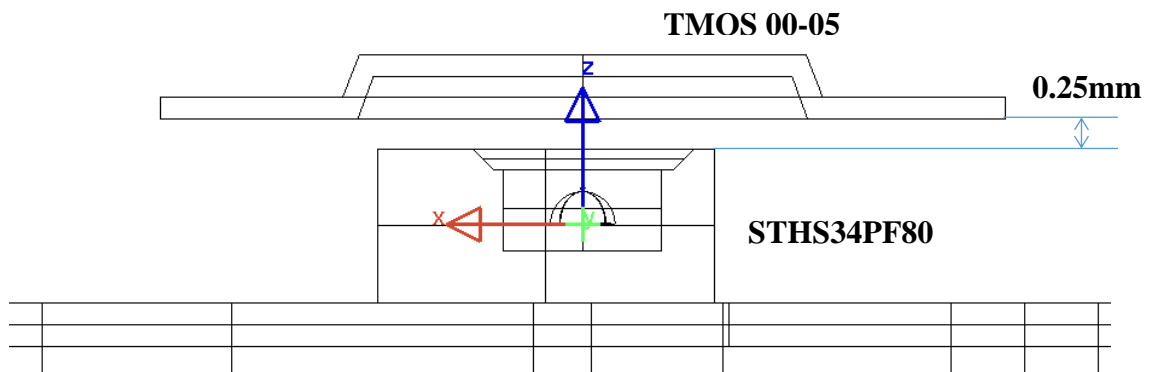
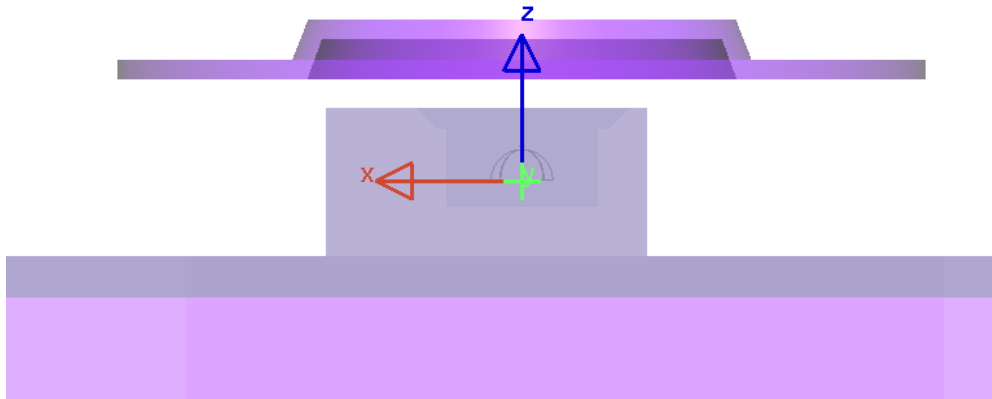
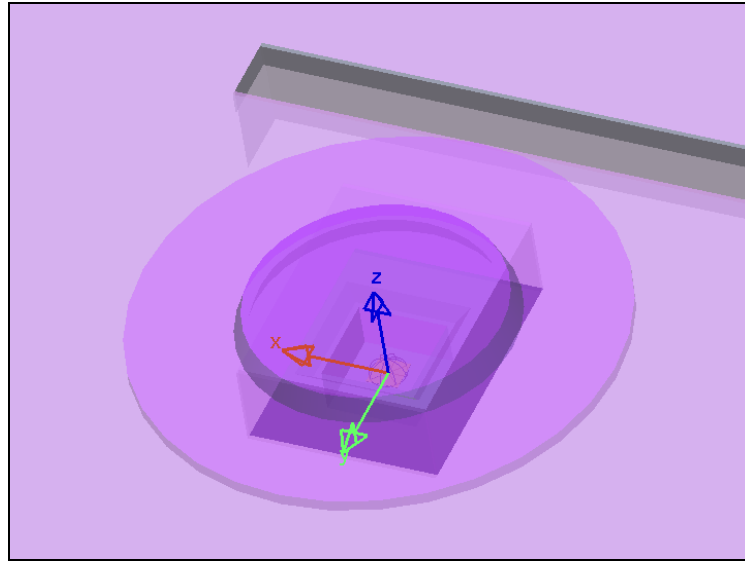
(4mm form factor, High transmittance, 6 different colors, Laptop, ceiling, presence detector)

This document specifies TMOS sensor **STHS34PF80** from STMicroelectronics, PCB **TMOS 34PF80Rev2.1 noled FrontCable**, and **TMOS00-05** from Fresnel Factory Inc.

TMOS 00-05 works as a cover to protect TMOS sensor from dust, water, and human touch. The cover has a tiny form factor, which is only diameter 4mm of exposed cover and 0.25mm distance from the sensor.

1. Dimension and orientation of TMOS00-05 lens





Please Note that the Center of Optical Window of the STHS34PF80 must be aligned with the center of the TMOS 00-05.

2. Detectable Range and Field of View

TMOS 00-05 changes the Field of View of STHS34PF80 from xx degree to xx degree.

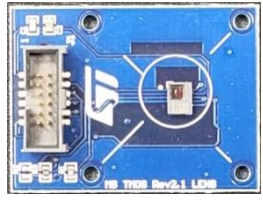
This section will be updated.

3. Housing for EVK with PCB TMOS_34PF80 Rev2.1_noled_FrontCable

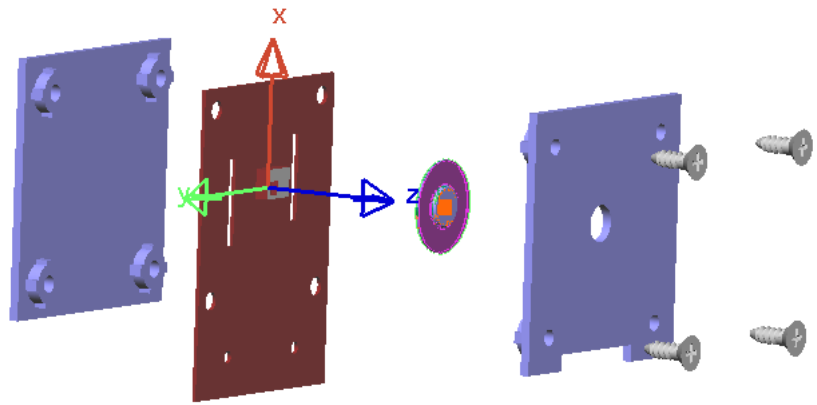
Please download 3D STL file for 3D printing in the link below.

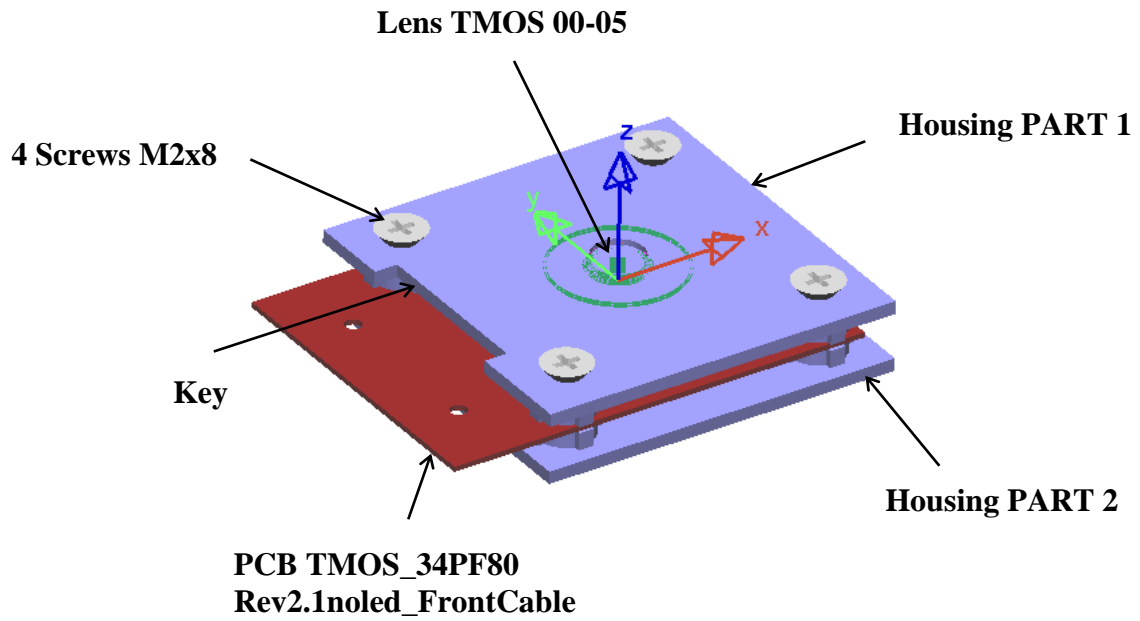
Part 1	Part 2
https://drive.google.com/file/d/14btqQ7ahqR6wWZZbR6ZSN35o9rgpCkuz/view?usp=drive_link	https://drive.google.com/file/d/1pkgD6n7kd89WYOBfSUL_IK6_SVIWclvj/view?usp=drive_link

Housing consists 2 Parts with Directional Keys. All keys must be faced to the PCB connector (see picture below). Housing fastened by 4 Philips self-tapping Screws M2x8. (To be updated)



PCB TMOS_34PF80Rev2.1_noled_FrontCable





Assembled Lens TMOS 00-05

- Contact
Fresnel Factory Inc.
Ashton Myung KIM
ashton@fresnelfactory.com
+82 10-5248-4630